

ZOOMLION

ZT85J
Parts Manual

Jul 2021 Version A

Foreword

Zoomlion appreciates your choice of our machine for your application. The Parts Manual must be read and understood in its entirety before operating the machine.

This manual introduces you the components and significant technical specs of telescopic boom lifts in detail for working efficiency improving. Keep this manual properly at all times for looking up.

Do not attempt to maintain and repair the product without carefully reading and understanding the contents of this manual. If you have any questions or concerns, please call your local service engineer and we will provide you with timely and effective technical support. Zoomlion AWP Machinery Company does not take the consequence of wrong operation.

This manual should be considered a permanent part of your machine and should remain with the machine at all times.

The content is under intellectual property protection, permission is required for a copy or other application.

There might be some tiny differences in details between your machine and the upgraded one due to the continuous improving. For clarification, questions, or additional information regarding any portions of this manual, contact Zoomlion AWP Machinery.

Our company reserves the right to modify this manual as technical improvement without notice.

Thank you for your trust and support for Zoomlion products!

Contents

Foreword.....	I
Content.....	II
SECTION 1 WORK PLATFORM	1-1
Work Platform 0077140010000000.....	1-1
SECTION 2 BOOM	2-1
Jib 0077140021000000.....	2-1
Boom Assembly 0077140030000000	2-7
Drag Chain Mechanism 0077140710000000	2-19
Linkage Mechanism 0077140610000000.....	2-23
SECTION 3 TURNTABLE	3-1
Turntable Assembly 0077140081000000 (Cummins Engine).....	3-1
Turntable Assembly 0077140080000000 (Deutz Engine).....	3-5
Hood Assembly 0077140110000000	3-9
Counterweight Assembly 0077140100000000	3-21
Slewing Mechanism 0077140090000000.....	3-23
SECTION 4 CHASSIS.....	4-1
Chassis Assembly 0077140281000000.....	4-1
SECTION 5 POWER SYSTEM	5-1
Engine Installation 00771407120200000 (Cummins Engine)	5-1
Engine Installation 00771407100200000 (Deutz Engine).....	5-3
Fuel System 00771407120400000 (Cummins Engine)	5-5
Fuel System 00771407100400000 (Deutz Engine)	5-7
Cooling System 00771407120600000 (Cummins Engine)	5-9
Cooling System 00771407100600000 (Deutz Engine)	5-13
Intake System 00771407120800000 (Cummins Engine)	5-15
Intake System 00771407100800000 (Deutz Engine)	5-17
Exhaust System 00771407121000000 (Cummins Engine)	5-19
Exhaust System 00771407101000000 (Deutz Engine)	5-21

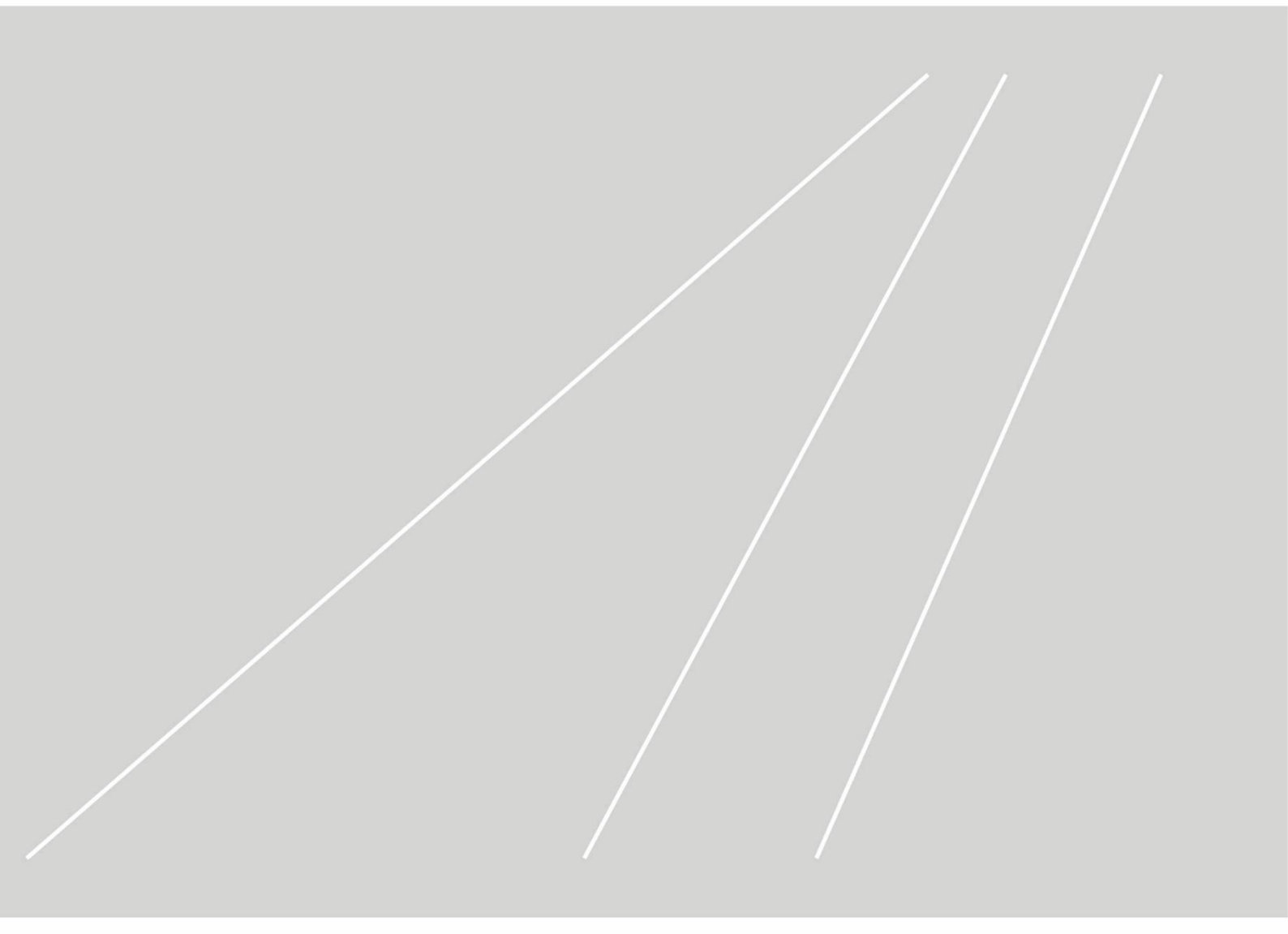
Contents

SECTION 6 HYDRAULIC SYSTEM.....	6-1
Frame Hydraulic Components (Front motor) 00771405200600000	6-1
Frame Hydraulic Components (Rear motor) 00771405200600000.....	6-3
Frame Hydraulic Components (Return oil block) 00771405200600000.....	6-5
Frame Hydraulic Components (Travel flow dividing valve) 00771405200600000	6-7
Frame Hydraulic Components (Steering cylinder)00771405200600000	6-9
Frame Hydraulic Components (Float cylinder)00771405200600000	6-11
Turntable Hydraulic Components (Pump)00771405200800000	6-13
Turntable Hydraulic Components (Oil supplementary filter) 00771405200800000	6-15
Turntable Hydraulic Components (High pressure filter) 00771405200800000	6-17
Turntable Hydraulic Components (Auxiliary pump) 00771405200800000	6-19
Turntable Hydraulic Components (Main valve) 00771405200800000	6-21
Turntable Hydraulic Components (Travel control valve) 00771405200800000	6-23
Platform Hydraulic Components (Jib valve)00771405201000000.....	6-25
Platform Hydraulic Components (High pressure filter) 00771405201000000.....	6-27
Platform Hydraulic Components (Rotary actuator) 00771405201000000	6-29
Centre revolving joint 00771405201200000	6-31
Balance Valve (Lifting balance valve) 00771405201400000	6-33
Balance Valve (Telescopic balance valve) 00771405201400000	6-35
Balance Valve (Slewing balance valve) 00771405201400000	6-37
Balance Valve (Jib balance valve) 00771405201400000.....	6-39
Balance Valve (Leveling balance valve) 00771405201400000	6-41
Hydraulic oil tank 00771405201600000	6-43
SECTION 7 ELECTRICAL SYSTEM	7-1
Turntable Cable 00771406210410000 (Cummins Engine)	7-1
Turntable Cable 00771406200410000 (Deutz Engine)	7-3
ECU Cable 00771406210420000 (Cummins Engine)	7-5
ECU Cable 00771406200420000 (Deutz Engine).....	7-7
Boom Cable 00771406200430000	7-9
Platform Cable 00771406200440000	7-11
Battery Cable 00771406210450000 (Cummins Engine)	7-13
Battery Cable 00771406200450000 (Deutz Engine).....	7-15
SECTION 8 Lable.....	8-1
Lable 00771407000000000	8-1

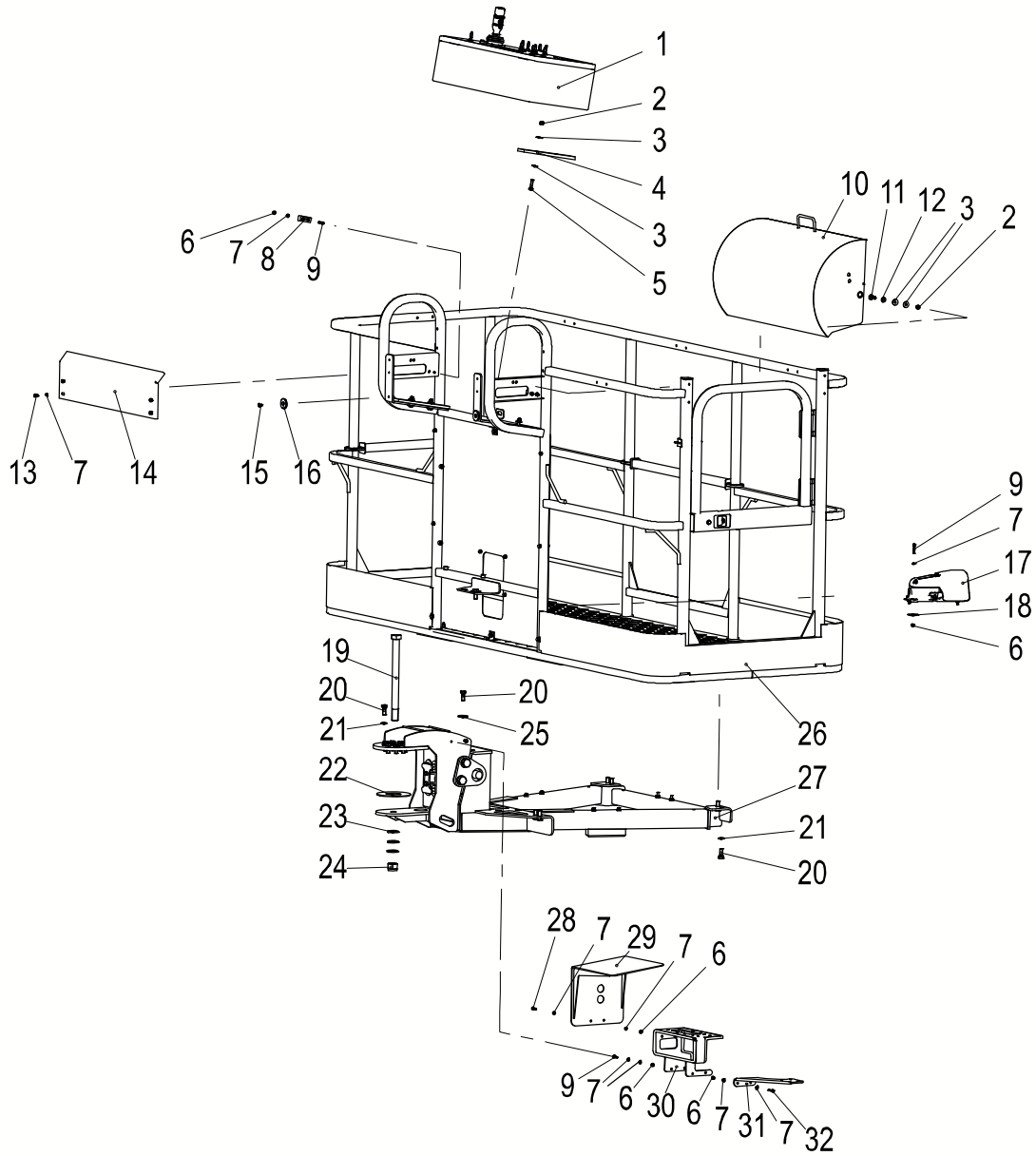
ZOOMLION

Parts Manual

Section 1 Work Platform



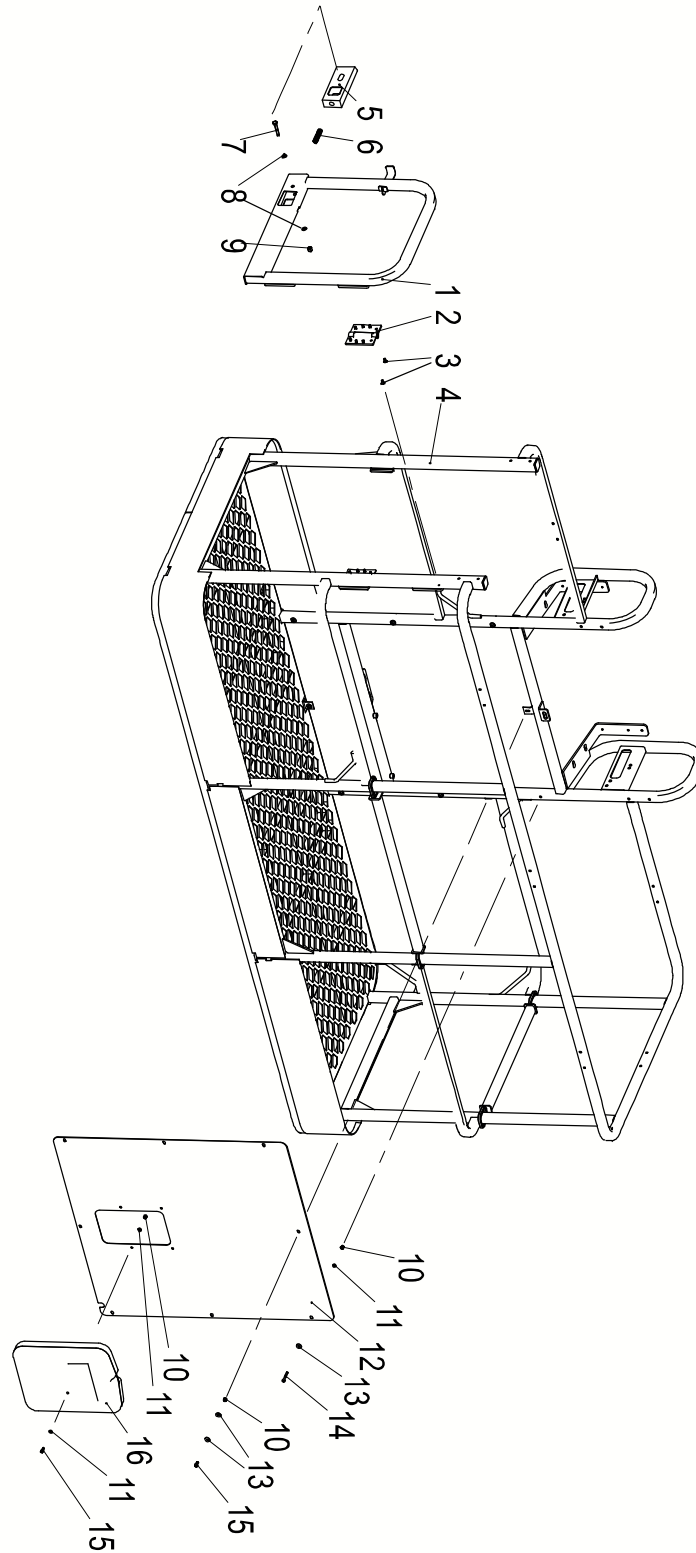
Work Platform 0077160010000000



Work Platform 0077160010000000

No.	Material No.	Item and Spec	Qty	Remark
1	00773406200210000	Platform electric control box assembly	1	
2	1040200503	Locknut M8-8	6	GB/T 889.1-2000
3	1040302480	Washer 8-200HV	12	GB/T 96.1-2002
4	00773406300201030	Rubber plate	2	
5	1040004619	Bolt M8×35-8.8	4	GB/T 5783-2000
6	1040201896	Nut M6-8	13	GB/T 889.1-2000
7	1040300771	Washer 6-200HV	23	GB/T 97.1-2002
8	00773400100261110	Baffle plate	2	
9	1040006017	Screw M6×25-A2-70	9	GB/T 70.1-2000
10	00773400100260020	Protection cover	1	
11	00773400200261060	Homemade Bolt	2	
12	00773400100261050	bearing	2	
13	1040005844	Bolt M6×10-A2-70	4	GB/T 5783-2000
14	00773400100261030	Plate II	1	
15	1040102646	Screw M6×12-8.8	2	GB/T 70.3-2000
16	00773400100261080	Baffle plate	2	
17	1020521022	Foot switch	1	
18	00771400100201020	Homemade Washer	3	
19	00771400100401080	Homemade Bolt	1	
20	1040004653	Bolt M12×30-10.9	18	GB/T 5783-2000
21	1040302490	Washer 12-200HV	16	GB/T 97.1-2002
22	00771600100001040	Rotary actuator adjusting shim	1	
23	1040301511	Washer 24-200HV	3	GB/T 97.1-2002
24	1040201111	Nut M24-10	1	GB/T 889.1-2000
25	1040302821	Washer 12-200HV	2	GB/T 96.1-2002
26	00771600100200000	Platform components	1	
27	00771600100400000	Tray assembly	1	
28	1040102372	Screw M6×20-A2-70	2	GB/T 70.1-2000
29	00771600101400000	Platform hydraulic cover	1	
30	00771600101600000	Hydraulic valve frame weldments	1	
31	00771600101000000	Filter support weldments	1	
32	1040101643	Screw M6×30-A2-70	2	GB/T 70.1-2000

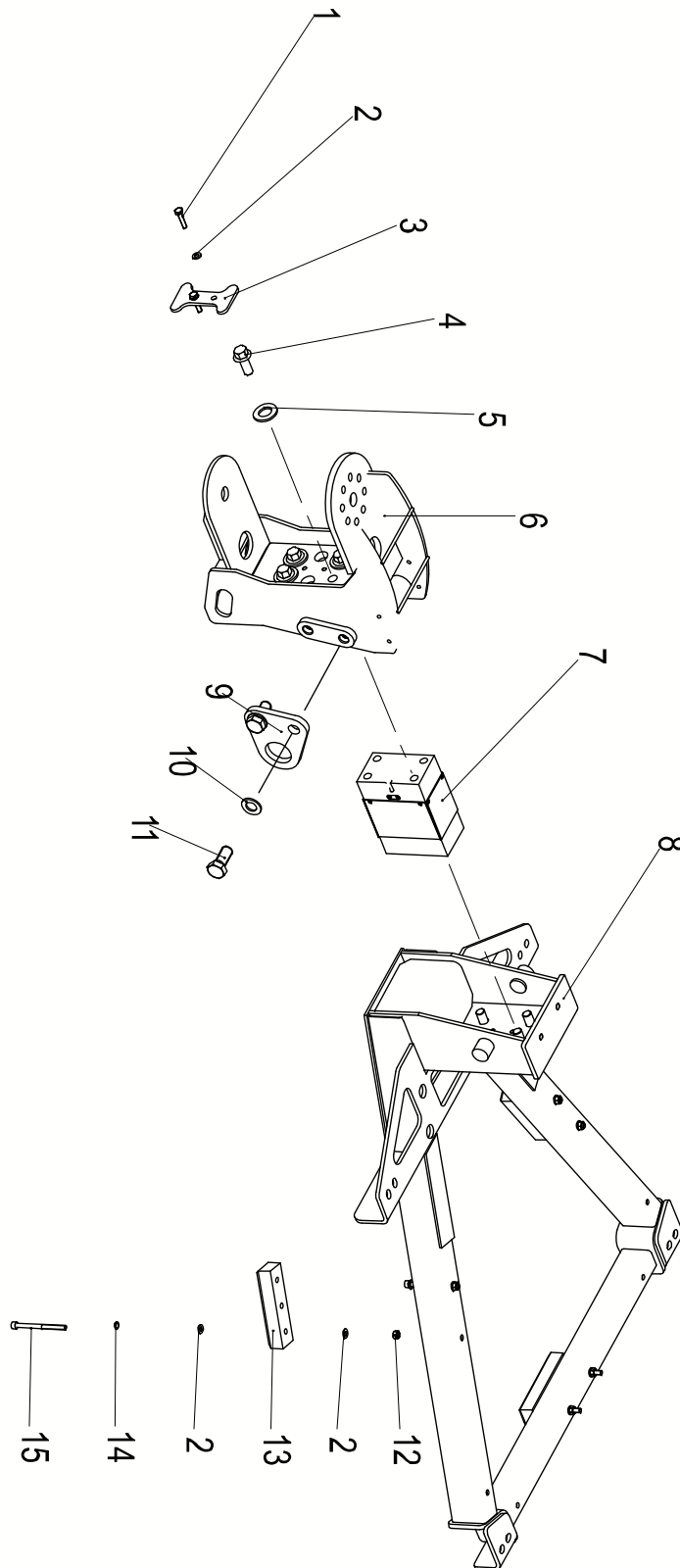
Platform Component 00771600100200000



Platform Component 00771600100200000

No.	Material No.	Item and Spec	Qty	Remark
1	00773400100230000	Swing gate	1	
2	1101000138	Reset hinge	2	
3	1040006016	Screw M6×10-A2-70	16	GB/T 70.3-2000
4	00771600100210000	Platform weldment	1	
5	00773400100201020	Key cylinder	1	
6	00775600101801020	Spring	1	
7	1040004522	Bolt M8×50-8.8	1	GB/T 5783-2000
8	1040301515	Washer 8-200HV	2	GB/T 97.1-2002
9	1040201880	Nut M8-6	1	GB/T 802-1988
10	1040201902	Nut M6-6	12	GB/T 802-1988
11	1040300771	Washer 6-200HV	14	GB/T 97.1-2002
12	00773400100201010	Baffle plate I	1	
13	1040300735	Washer 6-200HV	10	GB/T 96.1-2002
14	1040102773	Screw M6×40-8.8	6	GB/T 70.1-2000
15	1040102774	Screw M6×15-8.8	6	GB/T 70.1-2000
16	1999904986	Document box	1	

Tray Assembly 00771600100400000



Tray Assembly 0077160010040000

No.	Material No.	Item and Spec	Qty	Remark
1	1040004498	Hexagon bolt M20×40-8.8	4	GB/T 5783-2000
2	1040302493	Flat washer 20-200HV	4	GB/T 97.1-2002
3	00771600100001030	Platform protective hook II	2	
4	1040004619	Hexagon bolt M8×35-8.8	4	GB/T 5783-2000
5	1040301515	Flat washer A 8-200HV	16	GB/T 97.1-2002
6	00773400100401020	Pressing plate	2	
7	1040004654	Hexagon bolt M16×1.5×40	8	GB/T 5787-1986
8	1040301511	Flat washer A 24-200HV	8	GB/T 97.1-2002
9	00771600100420000	Transit base	1	
10	1021404016	Load cell	1	
11	00771600100410000	Tray weldment	1	
12	1040201089	Type 1 Hex nut M8-8	6	GB/T 6170-2000
13	00773400100401040	Cushion block	3	
14	1040301510	Standard type spring washer 8	6	GB/T 93-1987
15	1040103118	Screw M8×100-8.8	6	GB/T 70.1-2000

ZOOMLION

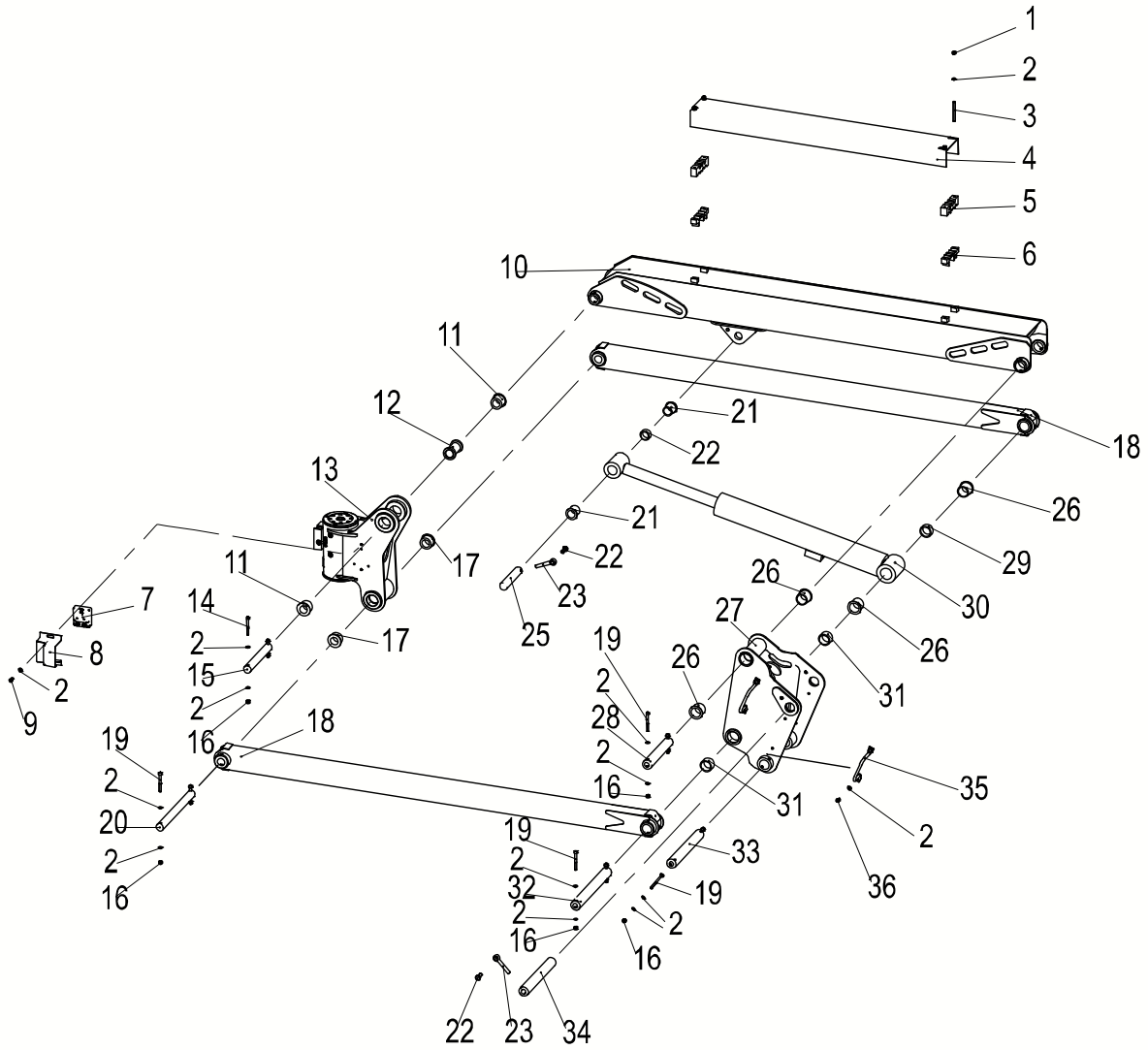
Parts Manual

Section 2 Boom



Jib 0077140021000000

BOOM

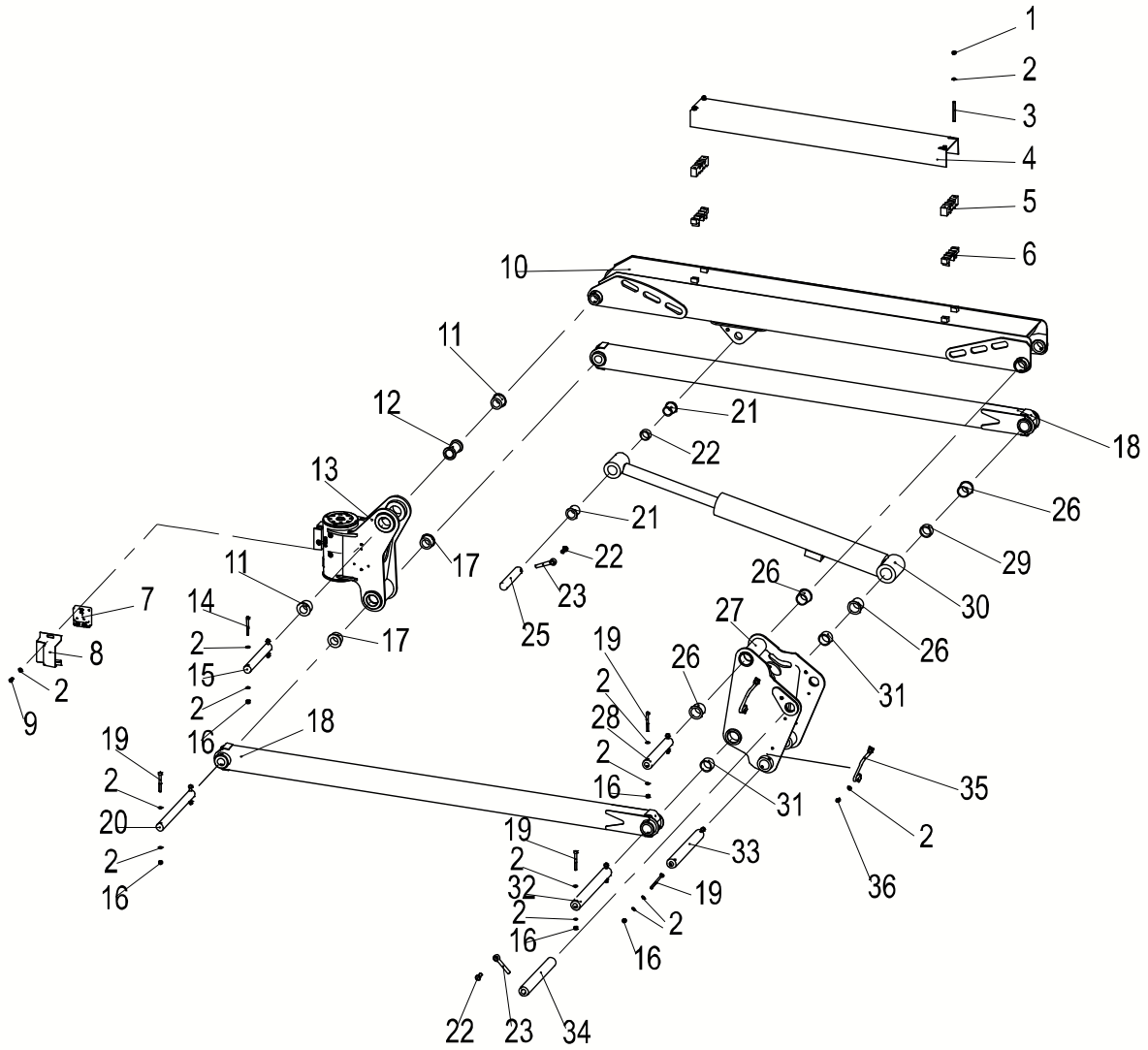


Jib 0077140021000000

No.	Material No.	Item and Spec	Qty	Remark
1	1040201089	Nut M8-8	4	GB/T 6170-2000
2	1040301515	Washer 8-200HV	30	GB/T 97.1-2002
3	00771400210001220	Jib screw I	4	
4	00771400210001190	Jib pipeline box	1	
5	00771400210001210	Jib pipeline snap-gauge	2	
6	00771400210001200	Jib pipeline snap-gauge	2	
7	1021404015	Angle sensor	1	
8	00771400200001200	Sensor protective box	1	
9	1040103111	Screw M8×16-8.8	2	GB/T 70.1-2000
10	00771400210200000	Upper linkage	1	
11	00771400210001120	Self-lubricating bearing II	2	
12	00771400210001080	Rotary actuator spacer bush	1	
13	1010201527	Rotary actuator	1	
14	1040102037	Screw M8×70-10.9-DKL	2	GB/T 70.1-2000
15	00771400210001020	Pin	1	
16	1040200503	Nut M8-8	10	GB/T 889.1-2000
17	00771400210001110	Self-lubricating bearing I	2	
18	00771400210400000	Lower linkage	1	
19	1040103116	Screw M8×75-10.9	8	GB/T 70.1-2000
20	00771400210001070	Pin	1	
21	00771400210001130	Self-lubricating bearing III	2	
22	00771400210001170	Jib lifting cylinder spacer bush II	1	
23	1040004511	Bolt M12×30-8.8	2	GB/T 5783-2000
24	00771400210001180	Stop pin	2	
25	00771400210001030	Pin	1	
26	00771400210001140	Self-lubricating bearing IV	4	
27	00771400210800000	Support II	1	
28	00771400210001040	Pin	1	
29	00771400210001160	Jib Leveling cylinder spacer bush I	1	
30	00771400211000000	Lifting cylinder	1	
31	00773400400001020	Pin	1	
32	00771400210001010	Pin	1	
33	00771400210001060	Pin	1	

Jib 0077140021000000

BOOM

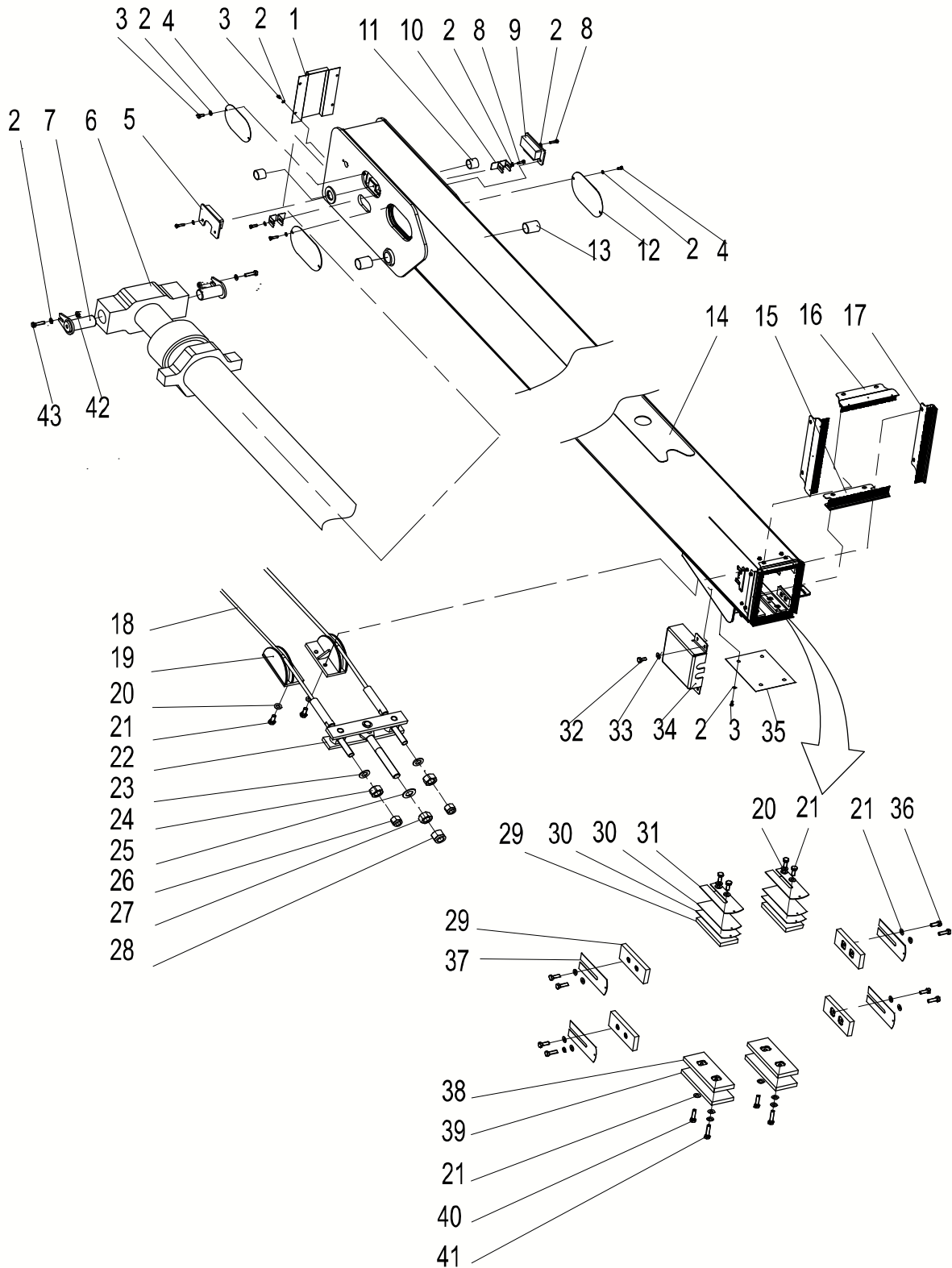


Jib 0077140021000000

No.	Material No.	Item and Spec	Qty	Remark
34	00771400210001050	Pin	1	
35	00771400211200000	Adjustable pipe clip	2	
36	1040004590	Bolt M8×14-8.8	4	GB/T 5783-2000

Boom Assembly 0077140030000000

BOOM

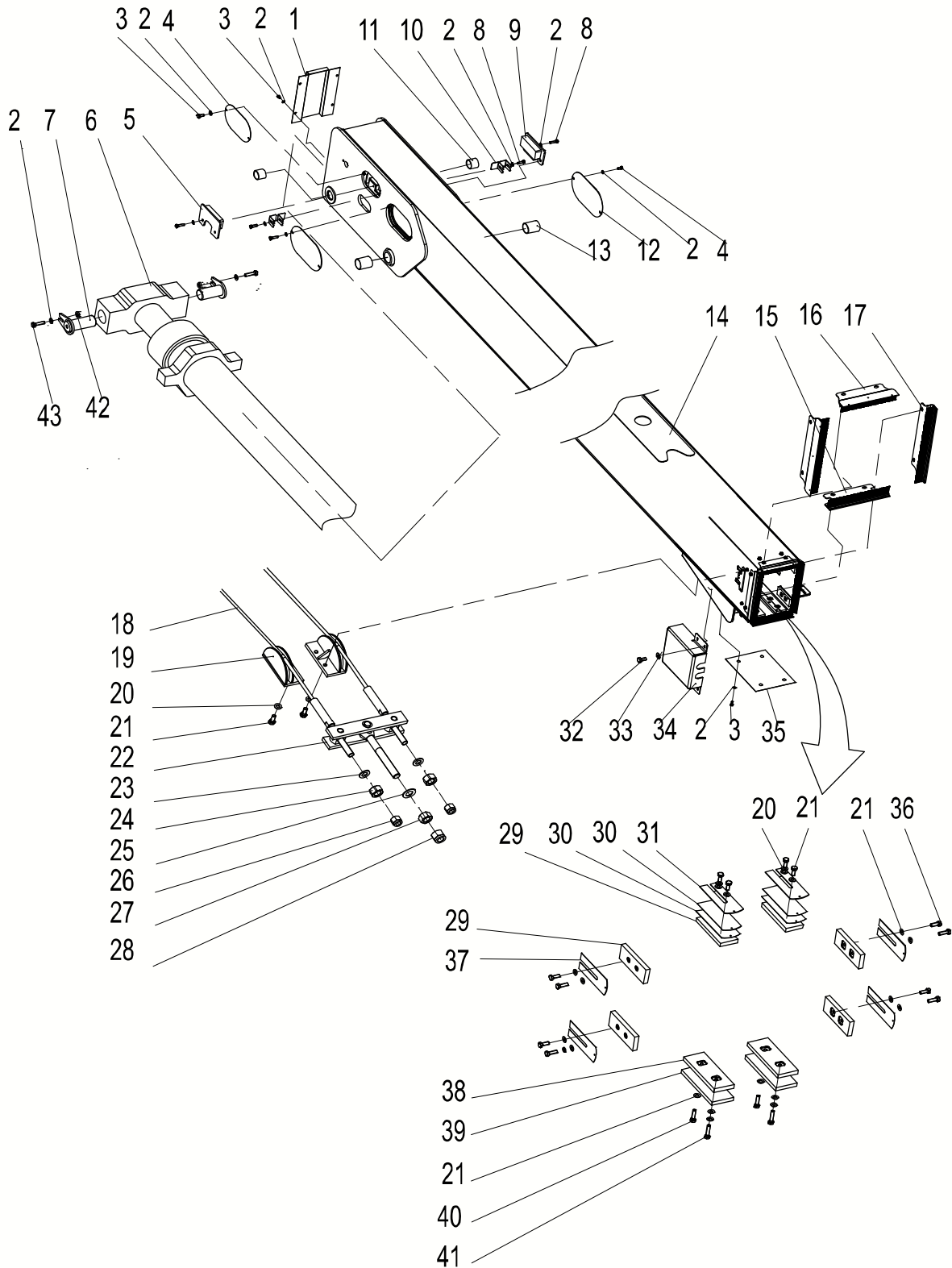


Boom Assembly 00771400300000000

No.	Material No.	Item and Spec	Qty	Remark
1	00771400300001030	Hood	1	
2	1040301515	Gasket 8	23	GB/T97.1-2002
3	1040004590	Bolt M8×14-8.8	12	GB/T5783-2000
4	00771400300001010	Cover plate I	2	
5	00771400300890000	Press block	1	
6	00771400300820000	Telescopic cylinder	1	
7	00771400300880000	PinIII	2	
8	1040004519	Bolt M8×25-8.8	10	GB/T5783-2000
9	00771400300900000	Press block	1	
10	00771400300801150	Spacer	4	
11	00771400301201030	Non-lubricating bearing	2	
12	00771400300001020	Cover plate II	1	
13	00771400301201020	Non-lubricating bearing	2	
14	00771400300200000	Base boom	1	
15	00771400301210000	Dust proof brush	1	
16	00771400301230000	Dust proof brush	1	
17	00771400301220000	Dust proof brush	2	
18	00771400300801050	Wire rope	2	
19	00771400300830000	Fixed pulley	2	
20	1040302489	Gasket10	34	GB/T97.1-2002
21	1040002434	Bolt M10×25-8.8	8	GB/T5783-2000
22	00771400300810000	Tension adjusting device	1	
23	1040302492	Gasket16-200HV	4	GB/T97.1-2002
24	1040201382	Nut M16	4	GB/T6170-2000
25	1040302493	Gasket 20	1	GB/T97.1-2002
26	1040200161	Nut M16	4	GB/T889-1986
27	1040201484	Nut M20	2	GB/T6170-2000
28	1040200741	Nut M20	1	GB/T889.1-2000
29	00771400301250000	Slider	6	
30	00773400300001140	Spacer V	8	
31	00773400300001130	Spacer IV	2	
32	1040004591	Bolt M4×8-8.8	4	GB/T5783-2000
33	1040302410	Gasket 4	4	GB/T97.1-2002
34	00771100300001070	Sensor cover	1	

Boom Assembly 0077140030000000

BOOM

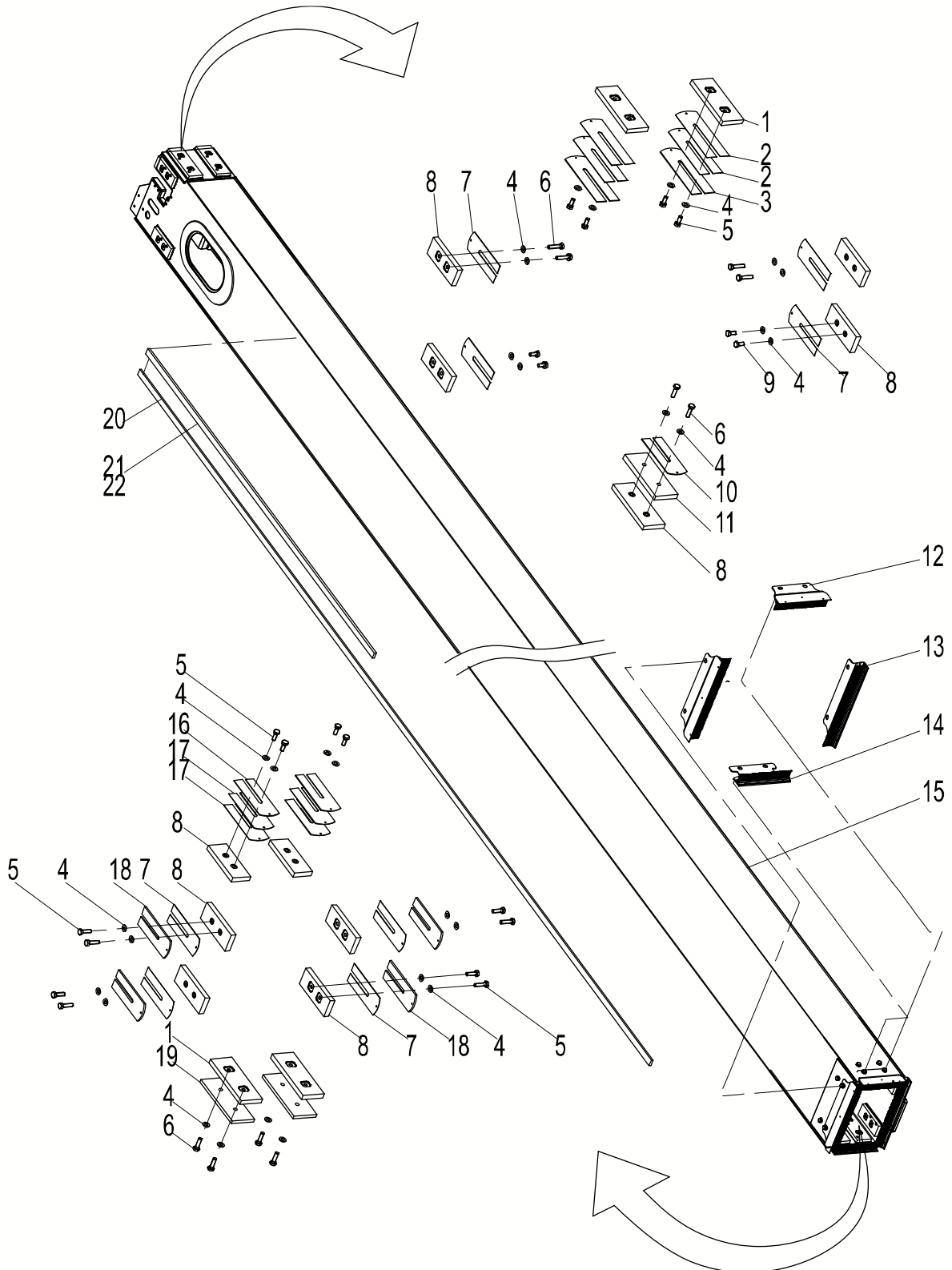


Boom Assembly 00771400300000000

No.	Material No.	Item and Spec	Qty	Remark
35	00771400300001060	Cover plate III	1	
36	1040002433	Bolt M10×20-8.8	8	GB/T5783-2000
37	00771400301401080	Spacer IV	6	
38	00771400301240000	Slider	2	
39	00771400301201010	Cushion block	2	
40	1040004508	Bolt M10×45-8.8	2	GB/T5783-2000
41	1040004509	Bolt M10×50-8.8	2	GB/T5783-2000
42	00771400300001070	Gasket	2	
43	1040004570	Bolt M16×30-8.8	2	GB/T5783-2000

Boom Assembly 0077140030000000

BOOM

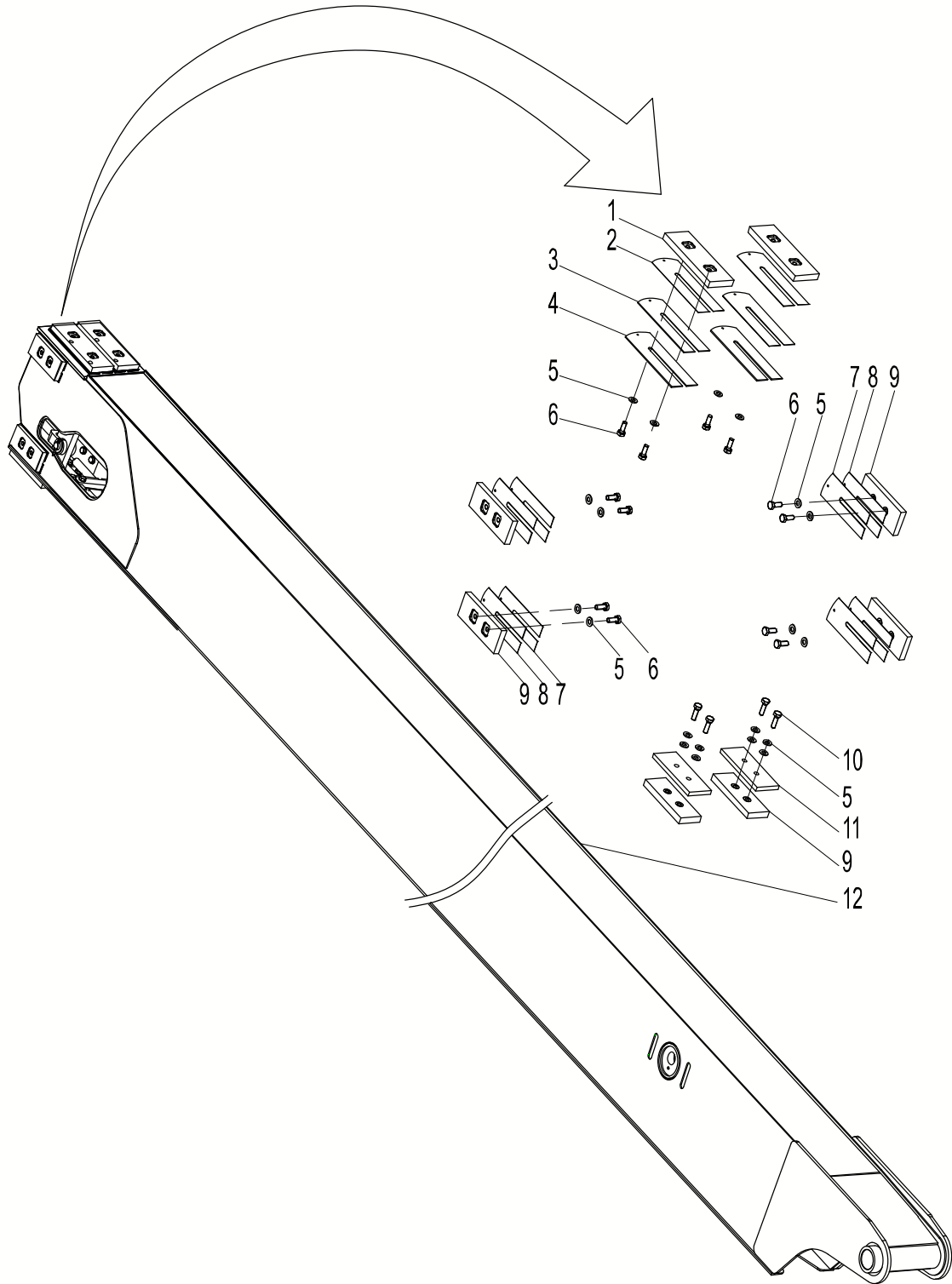


Boom Assembly 00771400300000000

No.	Material No.	Item and Spec	Qty	Remark
1	00771400301240000	Slider	5	
2	00771400301401020	Spacer	6	
3	00771400301401010	Spacer	2	
4	1040302489	Gasket 10	43	GB/T97.1-2002
5	1040002434	Bolt M10×25-8.8	16	GB/T5783-2000
6	1040004507	Bolt M10×40-8.8	10	GB/T5783-2000
7	00771400301401080	Spacer	8	
8	00771400301250000	Slider	10	
9	1040002433	Bolt M10×20-8.8	4	GB/T5783-2000
10	00771400301201010	Cushion block	1	
11	00771400301401090	Spacer	2	
12	00771400301430000	Dust proof brush	1	
13	00771400301420000	Dust proof brush	2	
14	00771400301410000	Dust proof brush	1	
15	00771400300400000	Tower boom	1	
16	00773400300001140	Spacer V	6	
17	00773400300001130	Spacer IV	2	
18	00771400301401040	Spacer	4	
19	00771400301401050	Cushion block	2	
20	00771400301401070	Nylon strip II	1	
21	00771400301401060	Nylon strip I	1	
22	1990202278	Tape	3	

Boom Assembly 0077140030000000

BOOM

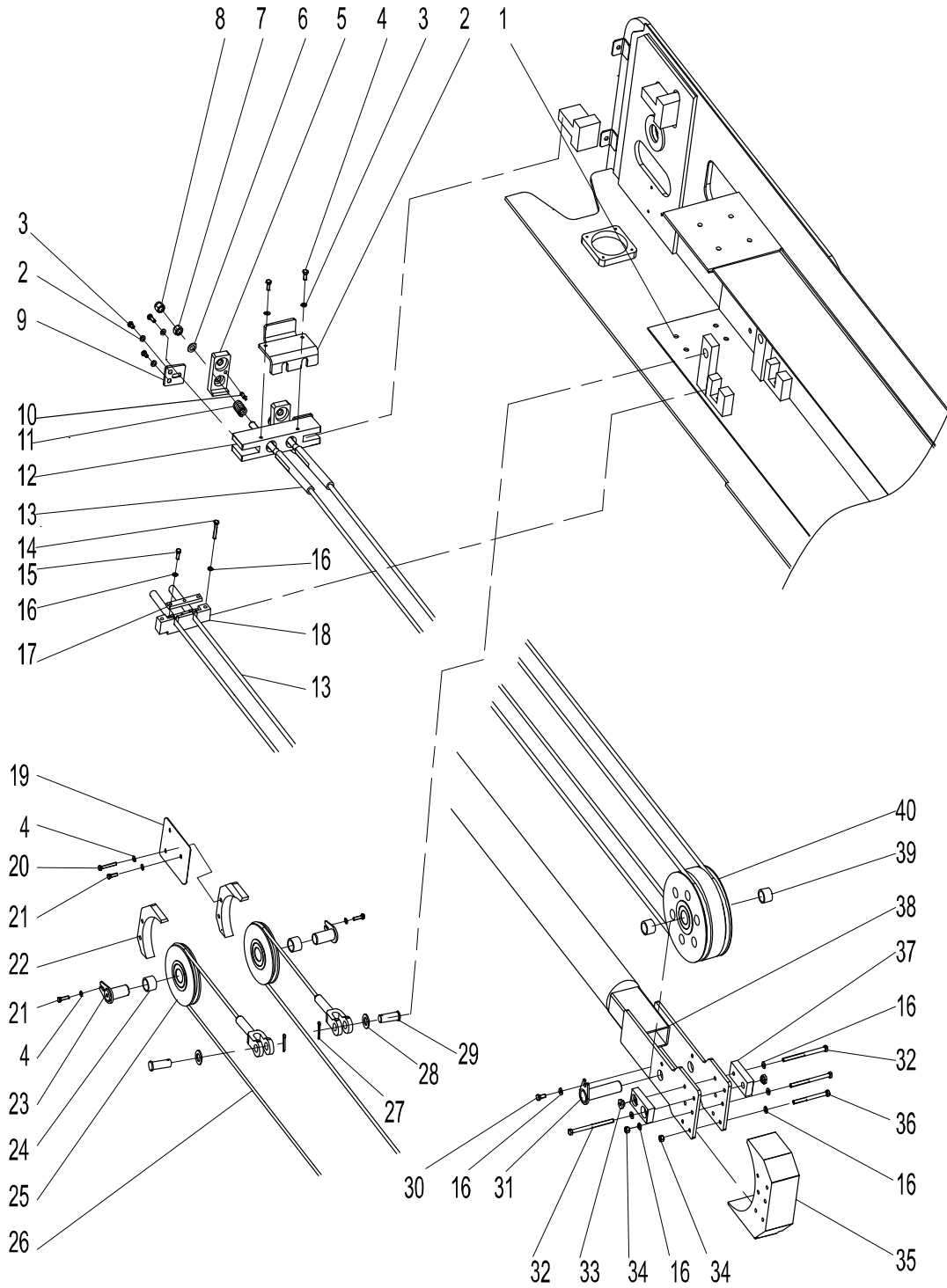


Boom Assembly 00771400300000000

No.	Material No.	Item and Spec	Qty	Remark
1	00771400301240000	Slider	2	
2	00771400301401020	Spacer	6	
3	00771400301401090	Spacer	2	
4	00771400301401010	Spacer	2	
5	1040302489	Gasket 10	28	GB/T97.1-2002
6	1040002434	Bolt M10×25-8.8	12	GB/T5783-2000
7	00773400300001140	Spacer	6	
8	00771400301401080	Spacer	6	
9	00771400301250000	Slider	6	
10	1040004565	Bolt M10×30-8.8	4	GB/T5783-2000
11	00771400301601010	Cushion block	2	
12	00771400300600000	Telescopic boom	1	

Boom Assembly 0077140030000000

BOOM

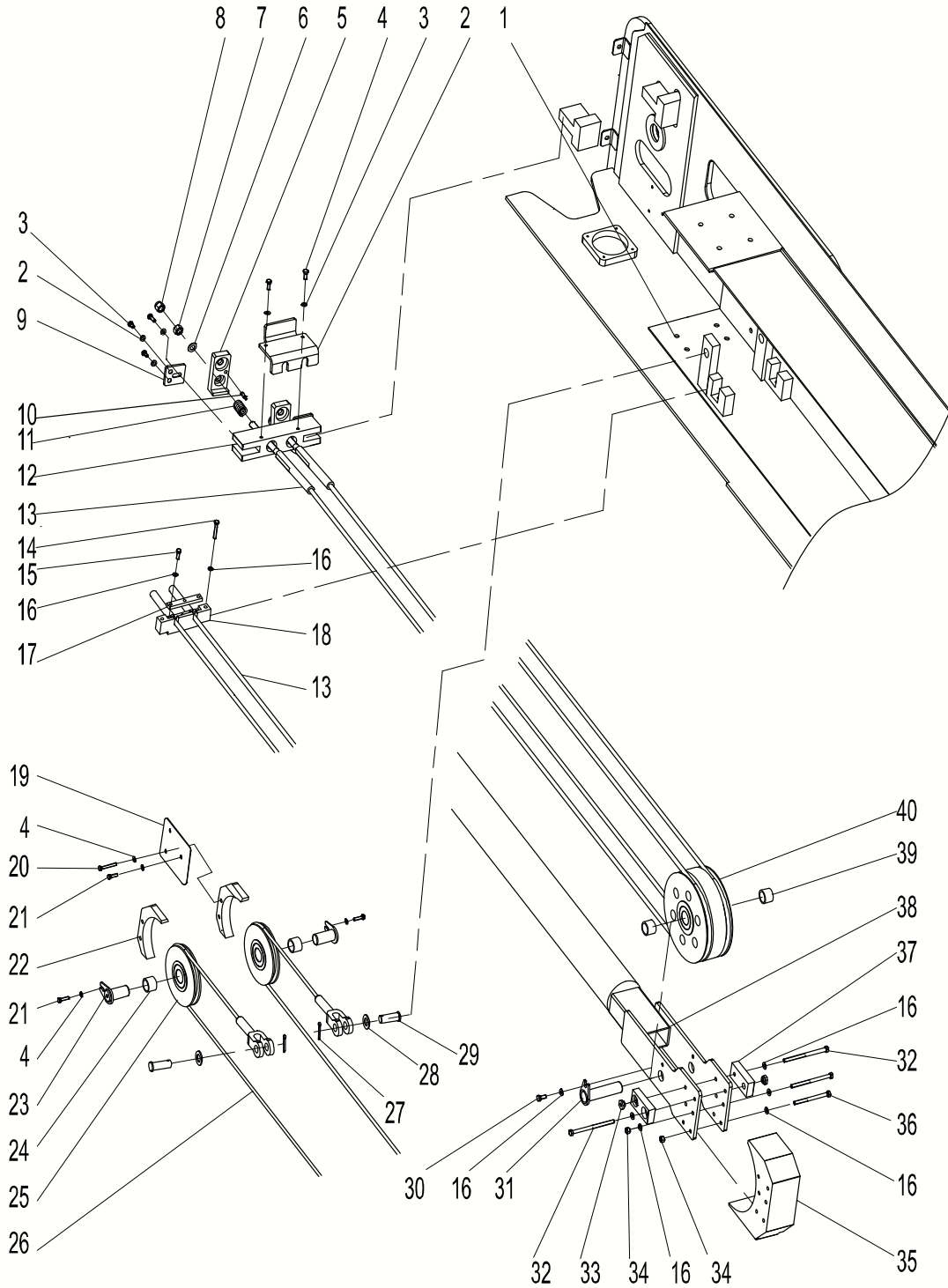


Boom Assembly 00771400300000000

No.	Material No.	Item and Spec	Qty	Remark
1	00771400300600000	Telescopic boom	1	
2	00771400300801100	Snap-gauge	1	
3	1040004518	Bolt M8×20	8	GB/T5783-2000
4	1040301515	Gasket 8	2	GB/T97.1-2002
5	00771400300801160	Sensor mounting plate	2	
6	1040302492	Gasket 16	4	GB/T97.1-2002
7	1040201382	Nut M16	4	GB/T6170-2000
8	1040200161	Nut M16	4	GB/T6182-2000
9	00771400300801090	Press plate II	2	
10	00771600301001230	Guide rod	2	
11	00771400300801020	Spring	2	
12	00771400300801060	Wire rope mounting base I	1	
13	00771400300801180	Wire rope	2	
14	1040004593	Bolt M10×55	2	GB/T5782-2000
15	1040004565	Bolt M10×30	2	GB/T5783-2000
16	1040302489	Gasket 10	18	GB/T97.1-2002
17	00771400300801080	Press plate I	1	
18	00771400300801070	Wire rope mounting base II	1	
19	00771400300801110	Cover plate	1	
20	1040004522	Bolt M8×50	4	GB/T5783-2000
21	1040004519	Bolt M8×25	12	GB/T5783-2000
22	00771400300801130	Protective plate I	2	
23	00771400300860000	Pin I	2	
24	00771400300801010	Non-lubricating bearing I	2	
25	00771400300850000	Pulley	2	
26	00771400300801190	Wire rope	2	
27	1040500394	Cotter 5×40	2	GB/T91-2000
28	1040302493	Gasket 20	4	GB/T97.1-2002
29	00771400300801120	Pin II	2	
30	1040004517	Bolt M8×16	1	GB/T5783-2000
31	00771400300870000	Pin II	1	
32	1040004594	Bolt M10×140	4	GB/T5782-2000
33	00771400301241020	T Nut	2	
34	1040200113	Nut M10-8	4	GB/T6170-2000

Boom Assembly 0077140030000000

BOOM

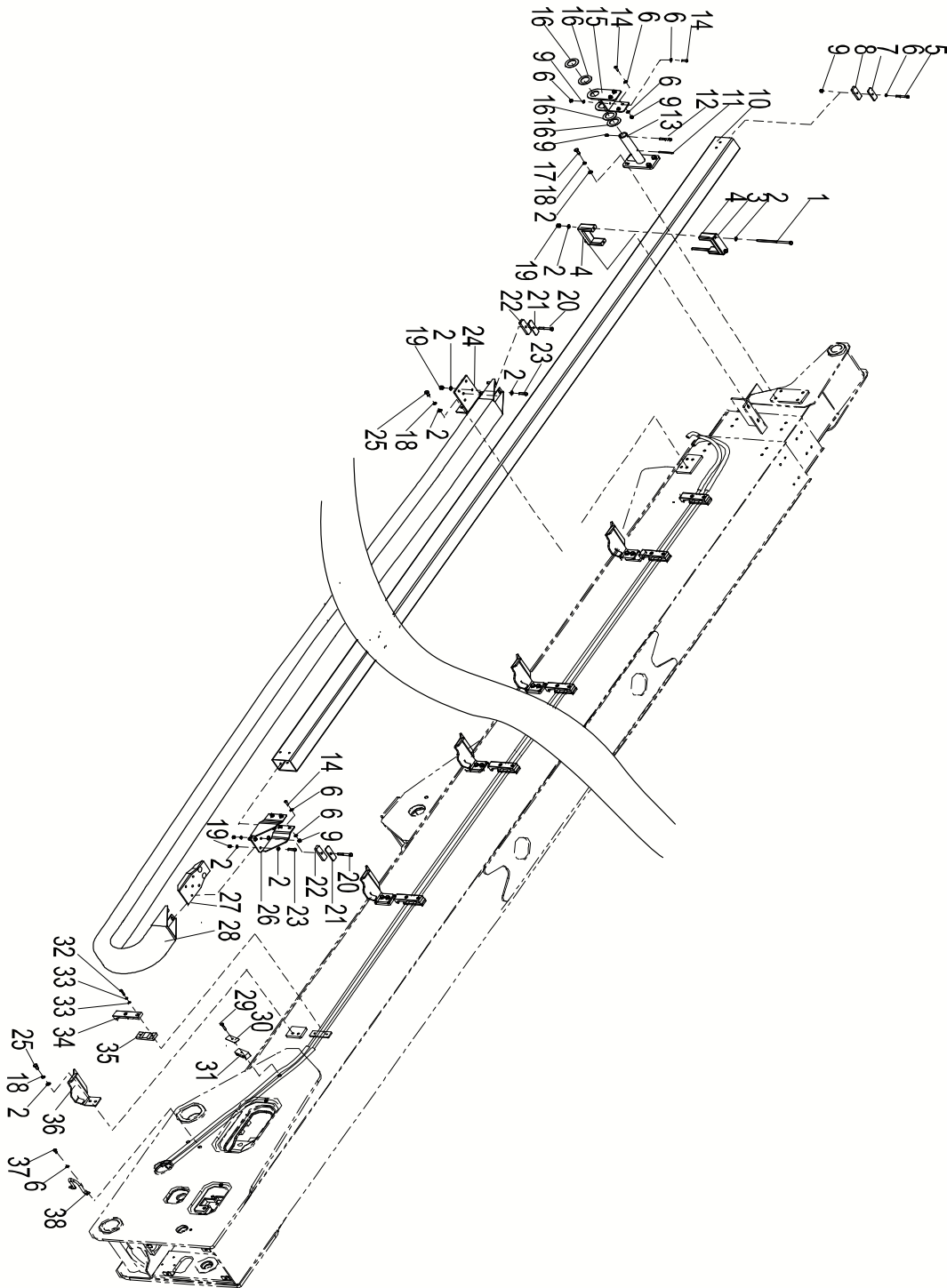


Boom Assembly 00771400300000000

No.	Material No.	Item and Spec	Qty	Remark
35	00771400300801140	Protective plate II		
36	1040004595	Bolt M10×180	2	GB/T5782-2000
37	00771400300801170	Slider	2	
38	00771400300820000	Telescopic cylinder	1	
39	00771400300801030	Non-lubricating bearing II	2	
40	00771400300840000	Pulley	1	

Drag chain System 0077140071000000

BOOM

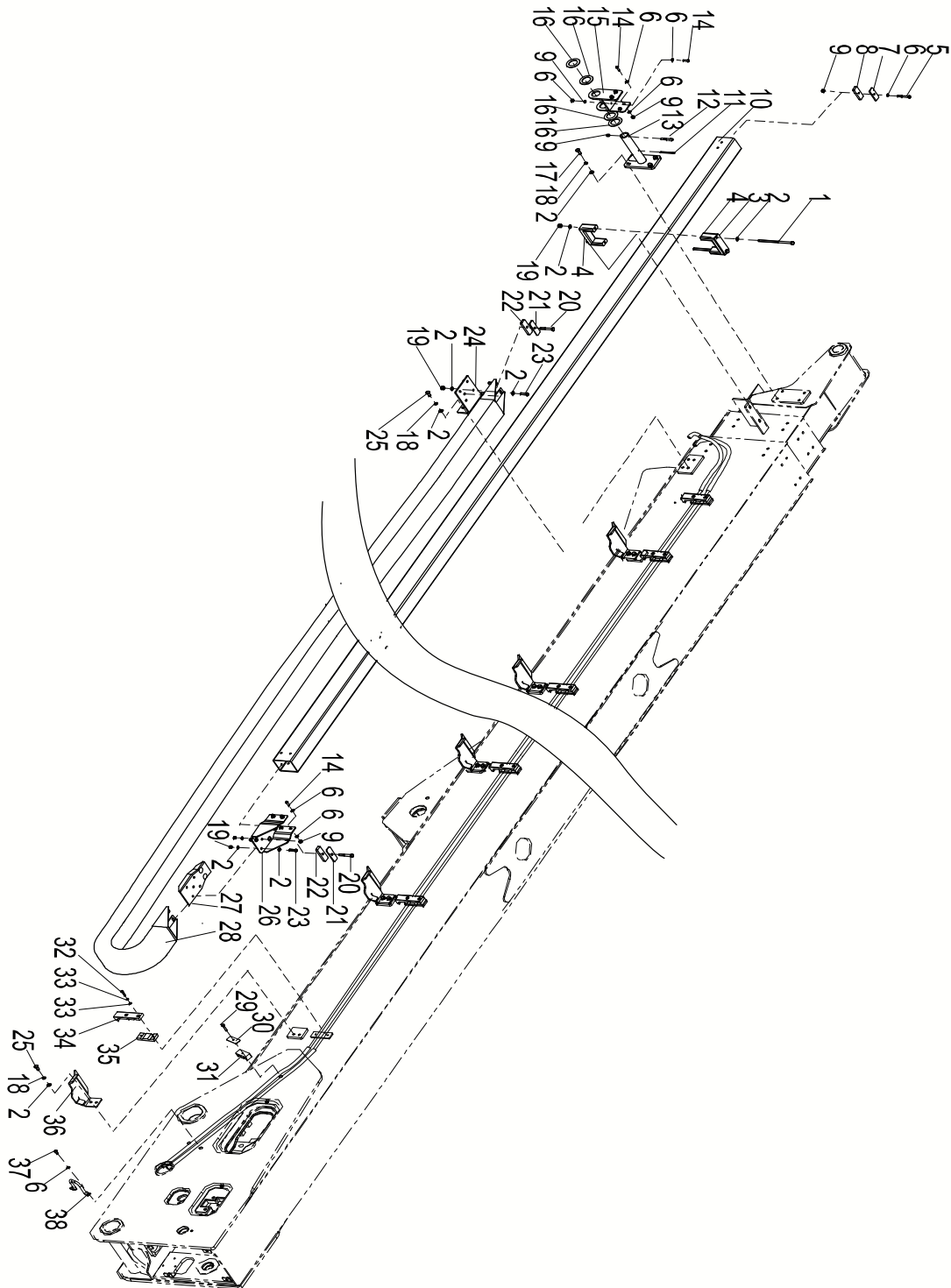


Drag chain System 0077140071000000

No.	Material No.	Item and Spec	Qty	Remark
1	1040004595	Bolt M10×180-8.8	2	GB/T5782-2000
2	1040302489	Gasket 10-200HV	44	GB/T97.1-2002
3	00771400710001050	Press plate	1	
4	00771400710001040	Sliding support	2	
5	1040004599	Bolt M8×60-8.8	1	GB/T5782-2000
6	1040301515	Gasket 8-200HV	33	GB/T97.1-2002
7	00771400710001120	Press plate II	1	
8	00771400710001110	Nylon press block II	1	
9	1040201897	Nut M8-8	14	GB/T889.1-2015
10	00771400710001100	Aluminium-alloy pipe	1	
11	1040500047	Pin 5×70	1	GB/T91-2000
12	1040102738	Bolt M8×55-8.8	1	GB/T70.1-2000
13	00771400710600000	Mounting bracket	1	
14	1040102648	Screw M8×25-A2-70	12	GB/T70.2-2000
15	00771400711600000	Bracket	1	
16	00771400700001010	Gasket	2	
17	1040002434	Bolt M10×25-8.8	4	GB/T5783-2000
18	1040301502	Gasket 10	22	GB/T93-1987
19	1040201898	Nut M10-8	12	GB/T889.1-2015
20	1040004656	Bolt M10×65-8.8	2	GB/T5782-2000
21	00771400710001020	Press plate	2	
22	00771400710001010	Press block	2	
23	1040103121	Screw M10×35-8.8	9	GB/T70.2-2000
24	00771400710400000	Fixed bracket II	1	
25	1040002433	Bolt M10×20-8.8	18	GB/T5783-2000
26	00771400711400000	Fixed base	1	
27	00771400710001070	Slider	1	
28	00771400711200000	Steel chain	1	
29	1040002458	Bolt M8×40-8.8	1	GB/T5783-2000
30	00771400710001140	Press plate III	1	
31	00771400710001130	Clip	1	
32	1040101643	Screw M6×30-A2-70	16	GB/T70.1-2000
33	1040301610	Gasket6	32	GB/T93-1987
34	00771400710001090	Fixed base II	8	

Drag chain System 0077140071000000

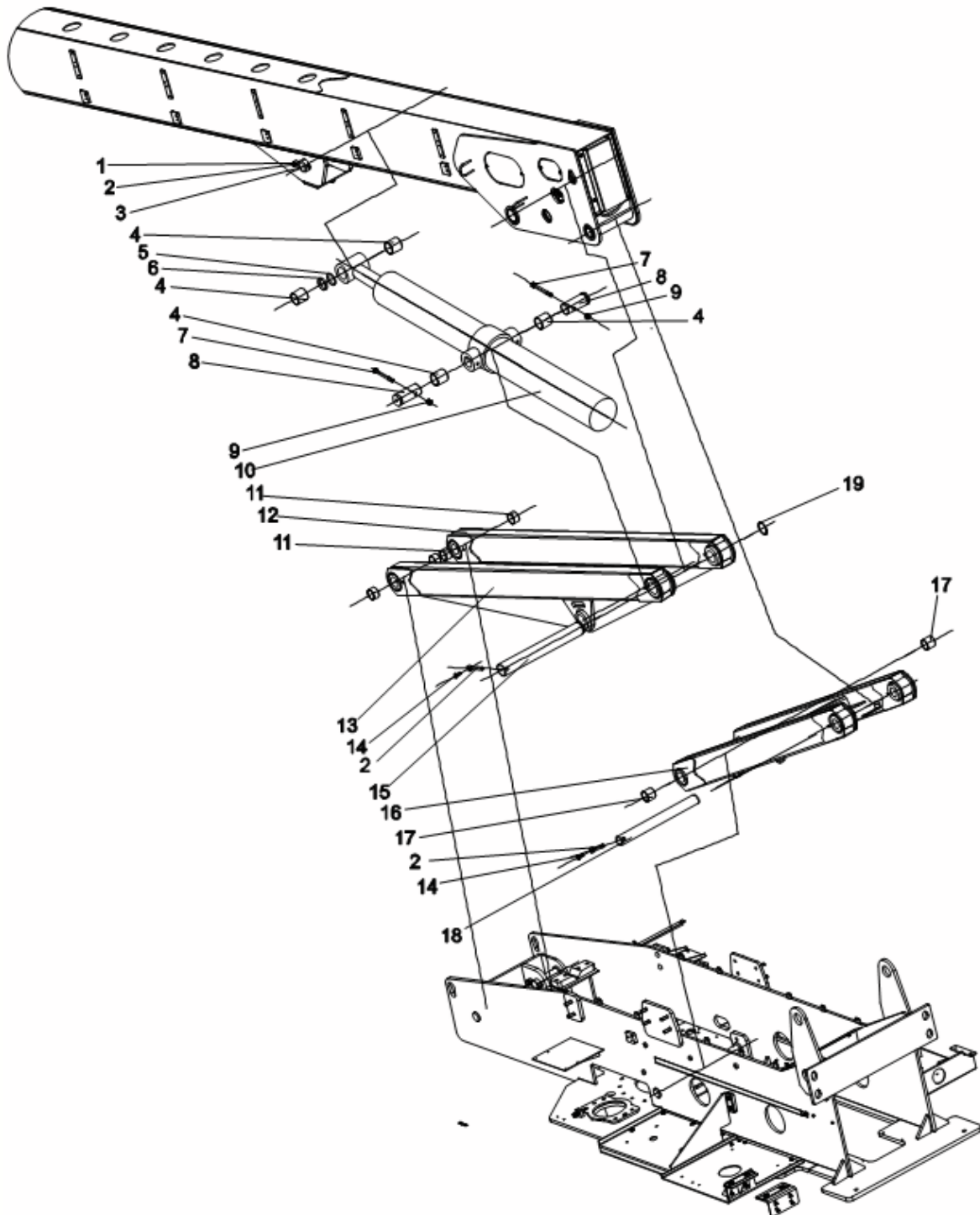
ROOM



Drag chain System 00771400710000000

No.	Material No.	Item and Spec	Qty	Remark
35	00771400710001060	Fixed base I	8	
36	00771400710201020	Support plate	7	
37	1040004517	Bolt M8×16-8.8	2	GB/T5783-2000
38	00771400711800000	Clip	1	

Linkage Mechanism 0077140061000000



BOOM

Linkage Mechanism 0077140061000000

No.	Material No.	Item and Spec	Qty	Remark
1	1040002447	Bolt M16×45-8.8	4	GB/T5783-2000
2	00771400600001060	Stop pin	1	
3	00771400300001040	Pin I	2	
4	00771400600001030	Self-lubricating bearing	2	
5	00771602800001410	Wear plate	2	
6	00771400600001090	Spacer bush	2	
7	1040002293	Bolt M20×170-10.9	1	GB/T5782-2000
8	00771400610001020	Pin	4	
9	1040200741	Nut M20-10	1	GB/T889.1-2000
10	00771400610600000	lifting cylinder	1	
11	00771400600001070	Self-lubricating bearing	2	
12	00771400610800000	Linkage	2	
13	00771400610400000	Linkage	1	
14	1040002245	Bolt M16×35-8.8	1	GB/T5783-2000
15	00771400610001010	Pin	2	
16	00771400610200000	Linkage	1	
17	00771400301201030	Non-lubricating bearing II	1	
18	00771400600001010	Pin	1	
19	1040300143	Check ring	1	GB/T894.1-1986

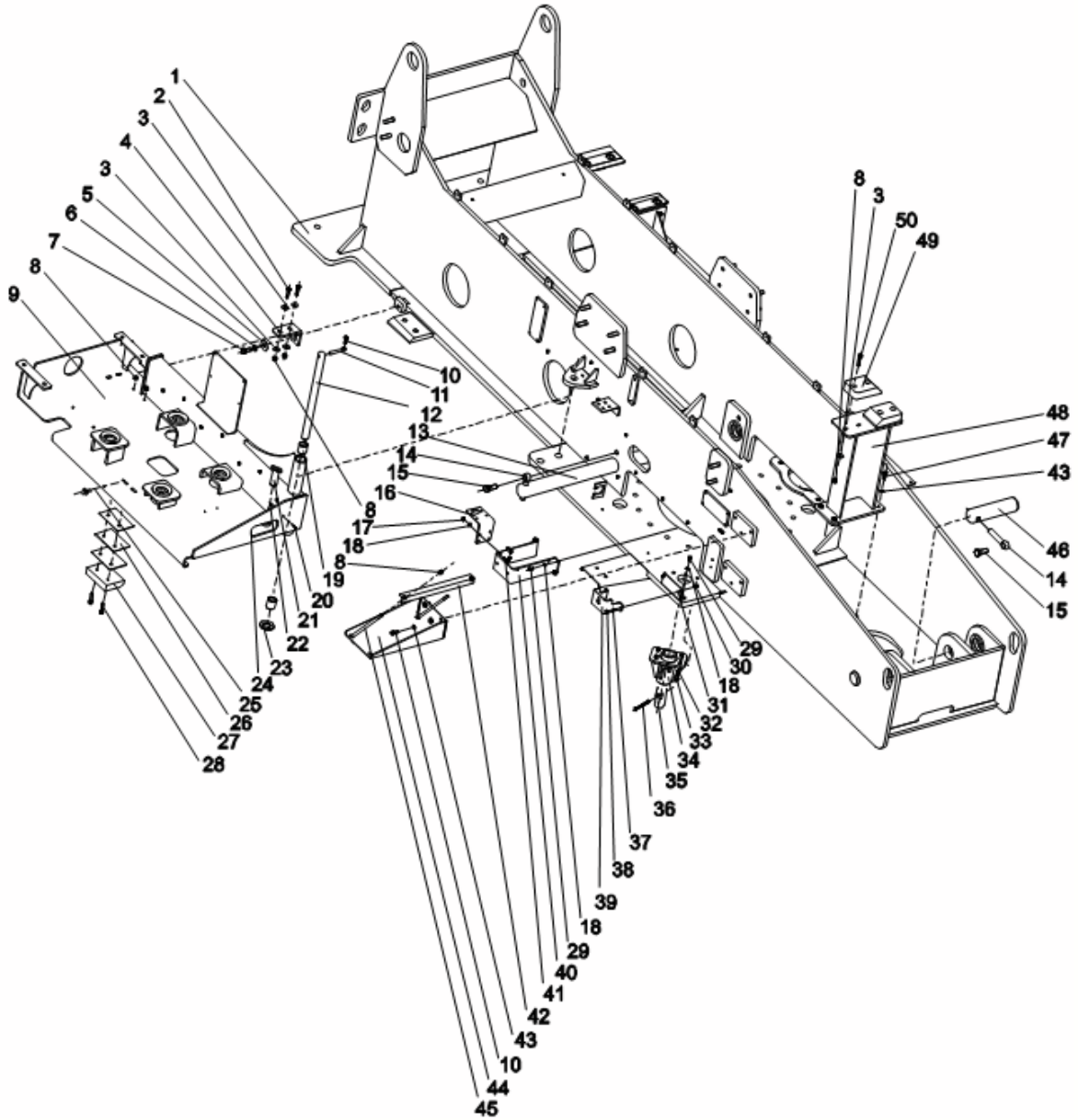
ZOOMLION

Parts Manual

Section 3 Turntable



Turntable Assembly 0077140081000000 (Cummins Engine)

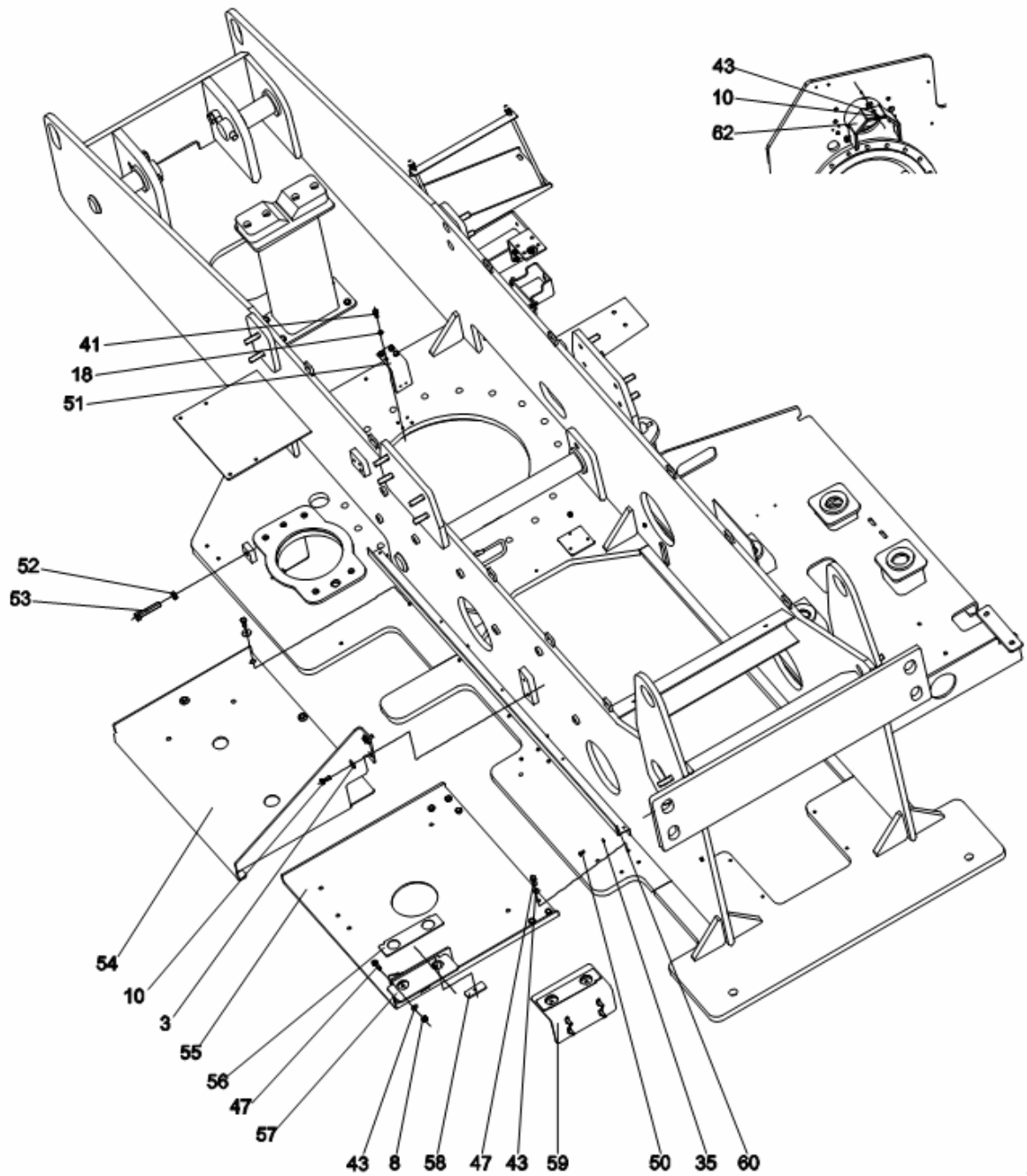


TURNTABLE

Turntable Assembly 0077140081000000 (Cummins Engine)

NO.	Material No.	Item and Spec	Qty	Remark
1	00771400800200000	Turntable mechanism	1	
2	1040004507	Bolt M10×40-8.8	2	GB/T5783-2000
3	1040302512	Gasket 10-200HV	14	GB/T96.1-2002
4	00771400800001140	Bending plate	1	
5	1040302513	Gasket16-200HV	1	GB/T96.1-2002
6	1040302492	Gasket16-200HV	1	GB/T97.1-2002
7	1040002445	Bolt M16×35-8.8	1	GB/T5783-2000
8	1040200504	Nut M10-8	16	GB/T889.1-2000
9	00771400810400000	Engine bracket	1	
10	1040002434	Bolt M10×25-8.8	13	GB/T5783-2000
11	00773400300001200	Stop pin	1	
12	00771400800001030	Pin	1	
13	00771400800001060	Pin	1	
14	00773400400001170	Stop pin	3	
15	1040004499	Bolt M20×45-8.8	3	GB/T5783-2000
16	00771400800001210	Filter mounting bracket	1	
17	1040201089	Nut M8-A2-70	4	GB/T6170-2000
18	1040301515	Gasket8-200HV	14	GB/T97.1-2002
19	00771400800001020	Self-lubricating bearing	2	
20	1040004669	Bolt M5×20-8.8	1	GB/T5783-2000
21	00771400801800000	Plug pin assembly	1	
22	1040200574	Nut M5-8	1	GB/T6170-2000
23	00773400800001150	Friction plate	1	
24	1990300400	U tape	1	ZJMF-6
25	1040004678	Door stopper bolt M10×70	1	
26	00771400800001110	Spacer	3	
27	00771400800001100	Cushion block	1	
28	1040004508	Bolt M10×45-8.8	2	GB/T5783-2000
29	1040004517	Bolt M8×15-8.8	6	GB/T5783-2000
30	1040001631	Bolt M6×20	2	GB/T5783-2000
31	00771400800001190	Mounting bracket	1	
32	1040302490	Spacer 12-200HV		GB/T97.1-2002
33	1040002436	BoltM12×25	4	GB/T5783-2000
34	00771400801000000	Turntable locking bracket	1	

Turntable Assembly 0077140081000000 (Cummins Engine)

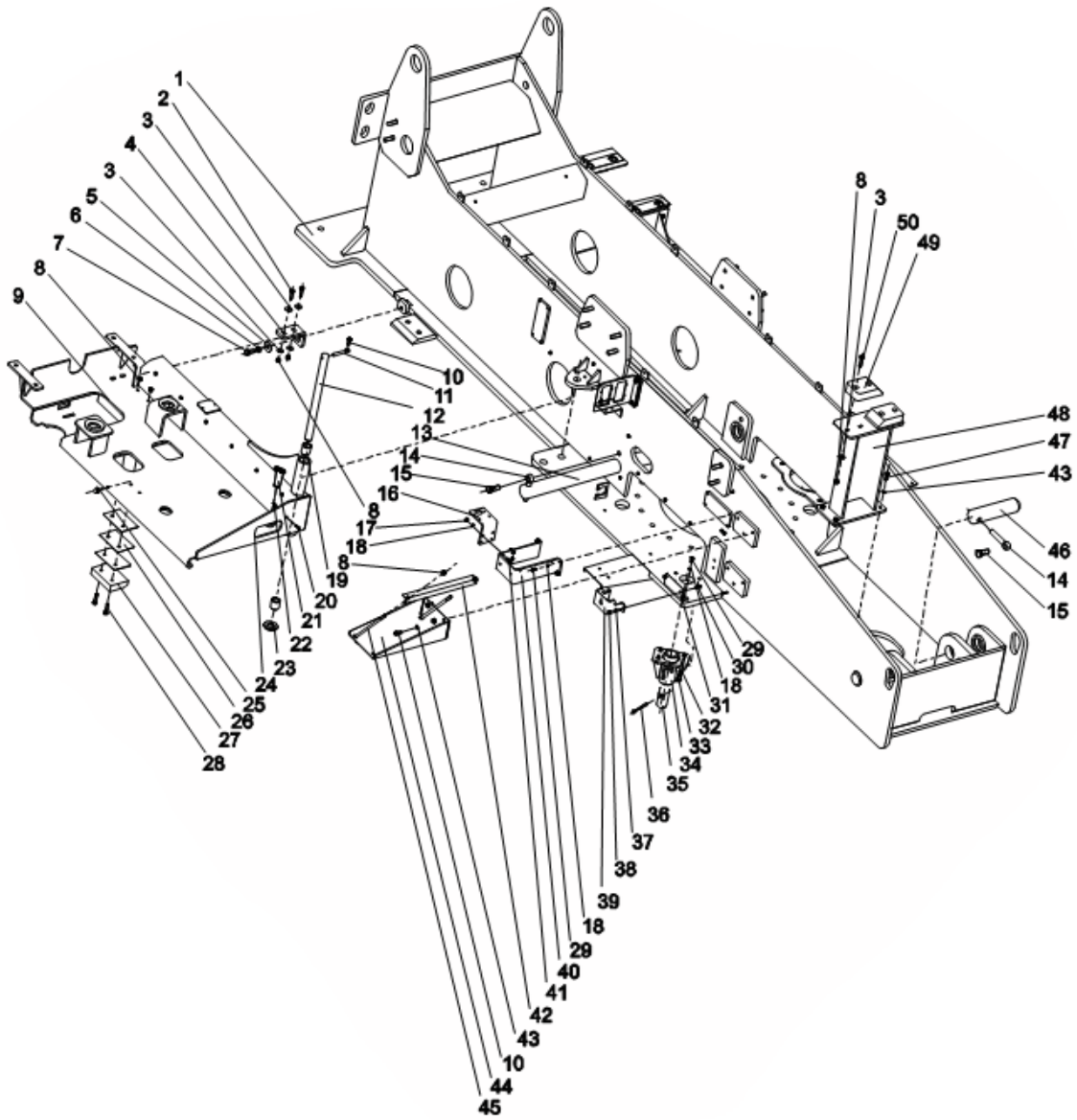


TURNTABLE

Turntable Assembly0077140081000000 (Cummins Engine)

NO.	Material No.	Item and Spec	Qty	Remark
35	00771400800001010	Turntable stop pin	1	
36	1040100714	Screw M12×130	1	GB/T70.1-2000
37	1040300771	Gasket6-200HV	6	GB/T97.1-2002
38	1040201865	Nut M6-8	2	GB/T6170-2000
39	00771400800001120	Support	1	
40	00771400800001180	Mounting bracket	1	
41	1040004519	Bolt M8×25	8	GB/T5783-2000
42	00771400800001040	Angle steel	1	
43	1040302489	Gasket10-200HV	27	GB/T97.1-2002
44	00771400801400000	Bracket	1	
45	00771400800001050	Pull rod	2	
46	00771400800001070	Pin	2	
47	1040004565	Bolt M10×30	18	GB/T5783-2000
48	00771400801600000	Boom support	1	
49	00771400800001080	Nylon cushion block	2	
50	1040004509	Bolt M10×50-8.8	4	GB/T5783-2000
51	00771400800001090	Bending plate	1	
52	1040201882	Nut M16	1	GB/T6172-2000
53	1040002450	Bolt M16×80-8.8	1	GB/T5783-2000
54	00771400800001130	Bending plate	1	
55	00771400802000000	Fuel tank bracket	1	
56	00771400800001160	Rubber pad	1	
57	00771400802200000	Bracket	1	
58	00771400800001150	Spacer	4	
59	00771400802400000	Bracket II	1	
60	1040002738	BoltM6×12-A2-70	4	GB/T5783-2000
61	00771400800001200	Bracket	1	
62	00771400800001170	Gear cover	1	

Turntable Assembly 0077140080000000 (Deutz Engine)

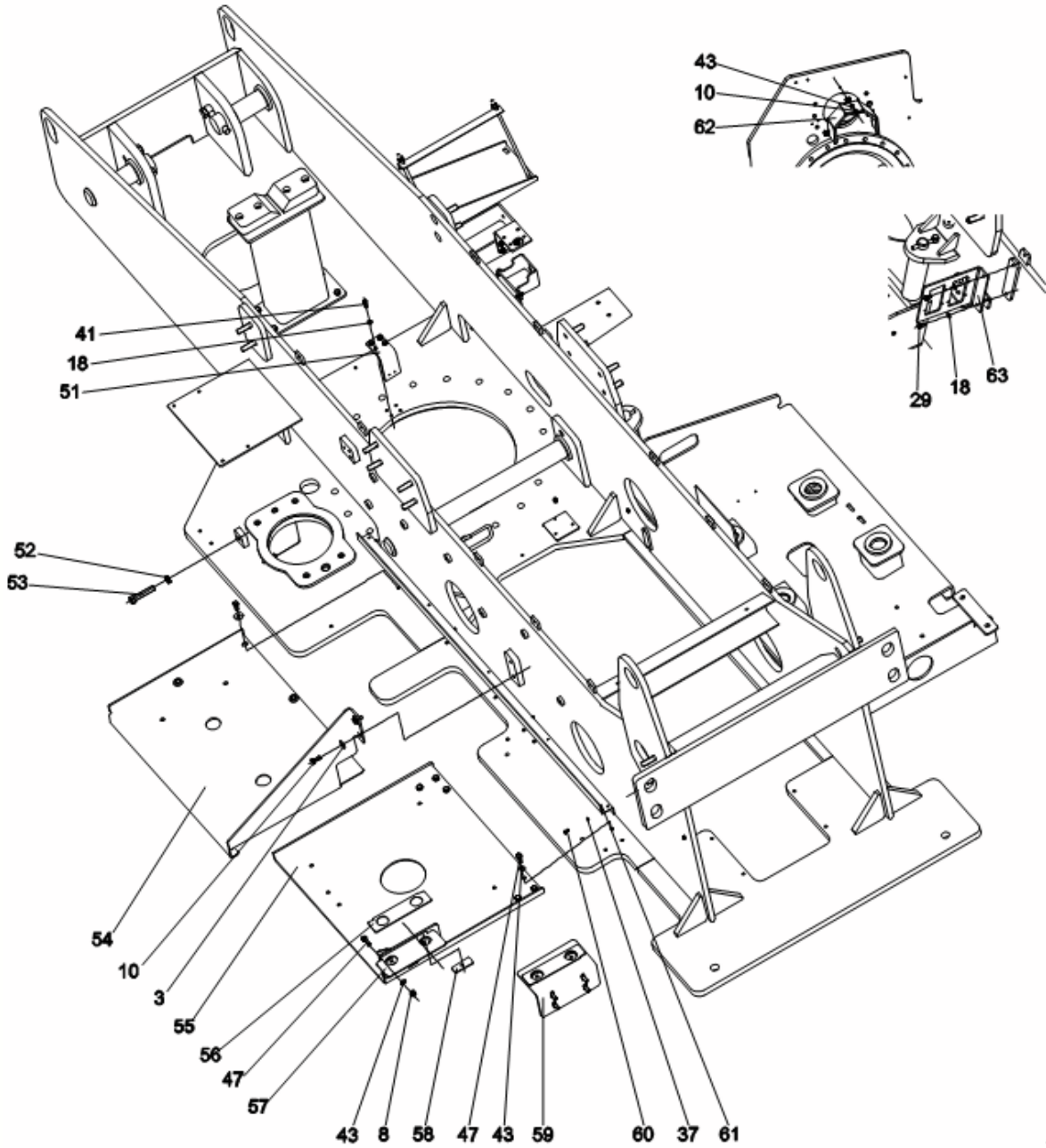


TURNTABLE

Turntable Assembly 0077140080000000 (Deutz Engine)

NO.	Material No.	Item and Spec	Qty	Remark
1	00771400800200000	Turntable mechanism	1	
2	1040004507	Bolt M10×40-8.8	2	GB/T5783-2000
3	1040302512	Gasket10-200HV	14	GB/T96.1-2002
4	00771400800001140	Bending plate	1	
5	1040302513	Gasket16-200HV	1	GB/T96.1-2002
6	1040302492	Gasket16-200HV	1	GB/T97.1-2002
7	1040002445	Bolt M16×35-8.8	1	GB/T5783-2000
8	1040201875	Nut M10-8	16	GB/T889.1-2000
9	00771400810400000	Engine bracket	1	
10	1040002434	Bolt M10×25-8.8	13	GB/T5783-2000
11	00773400300001200	Stop pin	1	
12	00771400800001030	Pin	1	
13	00771400800001060	Pin	1	
14	00773400400001170	Stop pin	3	
15	1040004499	Bolt M20×45-8.8	3	GB/T5783-2000
16	00771400800001210	Filter mounting bracket	1	
17	1040200782	Nut M8-A2-70	4	GB/T6170-2000
18	1040301515	Gasket8-200HV	16	GB/T97.1-2002
19	00771400800001020	Self-lubricating bearing	2	
20	1040004539	Bolt M5×20-8.8	1	GB/T5783-2000
21	00771400801800000	Plug pin assembly	1	
22	1040200574	Nut M5-8	1	GB/T6170-2000
23	00773400800001150	Friction plate	1	
24	1990300400	U tape	1	ZJMF-6
25	1040004678	Door stopper bolt M10×70	1	
26	00771400800001110	Spacer	3	
27	00771400800001100	Cushion block	1	
28	1040004508	Bolt M10×45-8.8	2	GB/T5783-2000
29	1040004516	Bolt M8×15-8.8	8	GB/T5783-2000
30	1040001631	Bolt M6×20-A2-70	2	GB/T5783-2000
31	00771400800001190	Mounting bracket	1	
32	1040302490	Spacer 12- 200HV	4	GB/T97.1-2002
33	1040002134	BoltM12×25-10.9	4	GB/T5783-2000
34	00771400801000000	Turntable locking bracket	1	

Turntable Assembly 0077140080000000 (Deutz Engine)

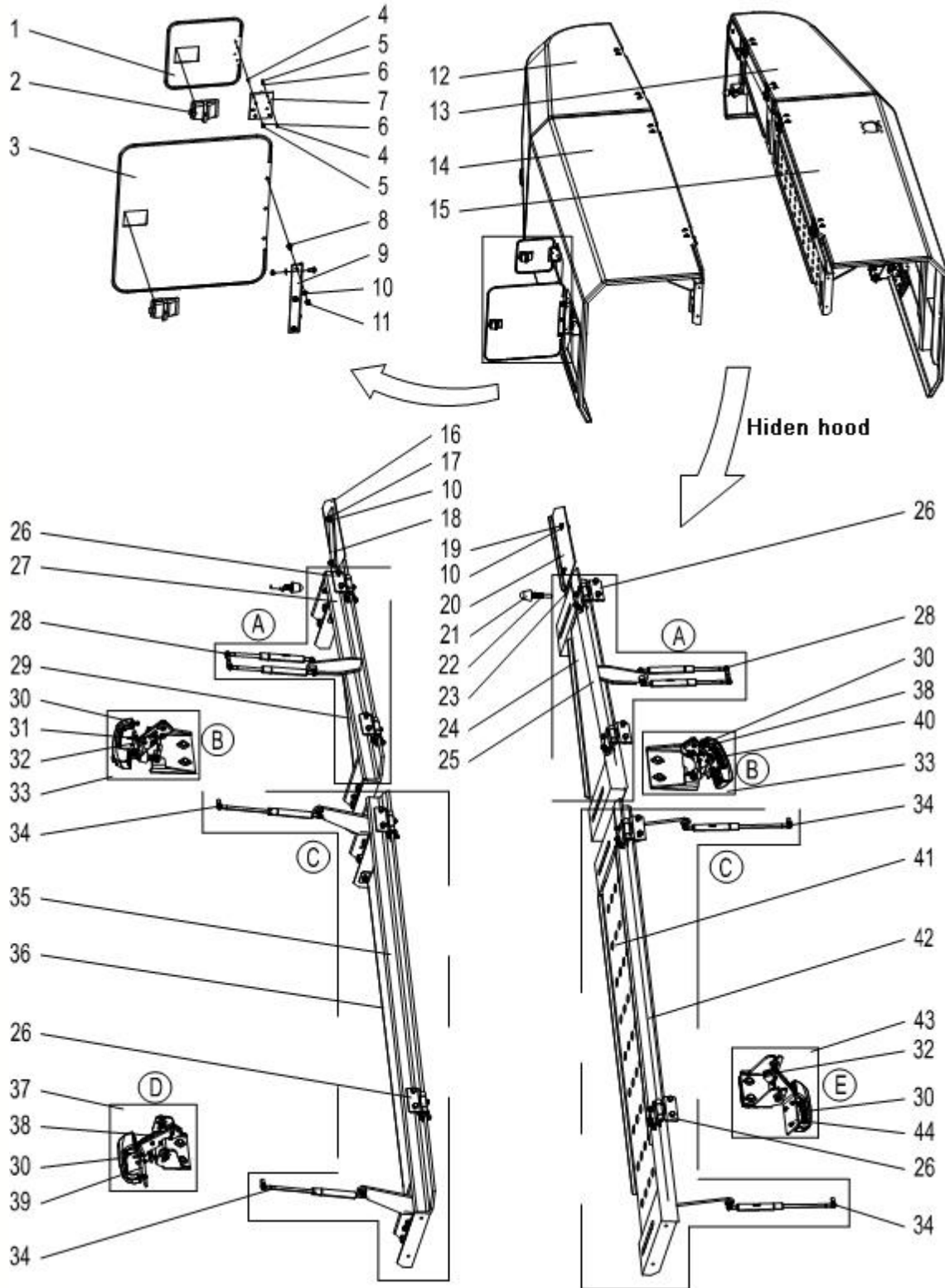


TURNTABLE

Turntable Assembly 0077140080000000 (Deutz Engine)

NO.	Material No.	Item and Spec	Qty	Remark
35	00771400800001010	Turntable stop pin	1	
36	1040100714	Screw M12×130	1	GB/T70.1-2000
37	1040302487	Gasket6-200HV	6	GB/T97.1-2002
38	1040201865	Nut M6-8	2	GB/T6170-2000
39	00771400800001120	Switch support	1	
40	00771400800001180	Mounting bracket	1	
41	1040001742	Bolt M8×25-A2-70	8	GB/T5783-2000
42	00771400800001040	Angle steel	1	
43	1040302489	Gasket10-200HV	27	GB/T97.1-2002
44	00771400801400000	Battery bracket	1	
45	00771400800001050	Pull rod	2	
46	00771400800001070	Pin	2	
47	1040000090	Bolt M10×30-8.8	18	GB/T5783-2000
48	00771400801600000	Boom bracket	1	
49	00771400800001080	Nylon cushion block	2	
50	1040004509	Bolt M10×50-8.8	4	GB/T5783-2000
51	00771400800001090	Bending plate	1	
52	1040201882	Nut M16	1	GB/T6172-2000
53	1040002450	Bolt M16×80-8.8	1	GB/T5783-2000
54	00771400800001130	Bending plate	1	
55	00771400802000000	Fuel tank bracket	1	
56	00771400800001160	Rubber pad	1	
57	00771400802200000	Bracket	1	
58	00771400800001150	Spacer	4	
59	00771400802400000	Bracket II	1	
60	1040002738	BoltM6×12-A2-70	4	GB/T5783-2000
61	00771400800001200	Bracket	1	
62	00771400800001170	Gear cover	1	
63	00771400800001220	Mounting plate	1	

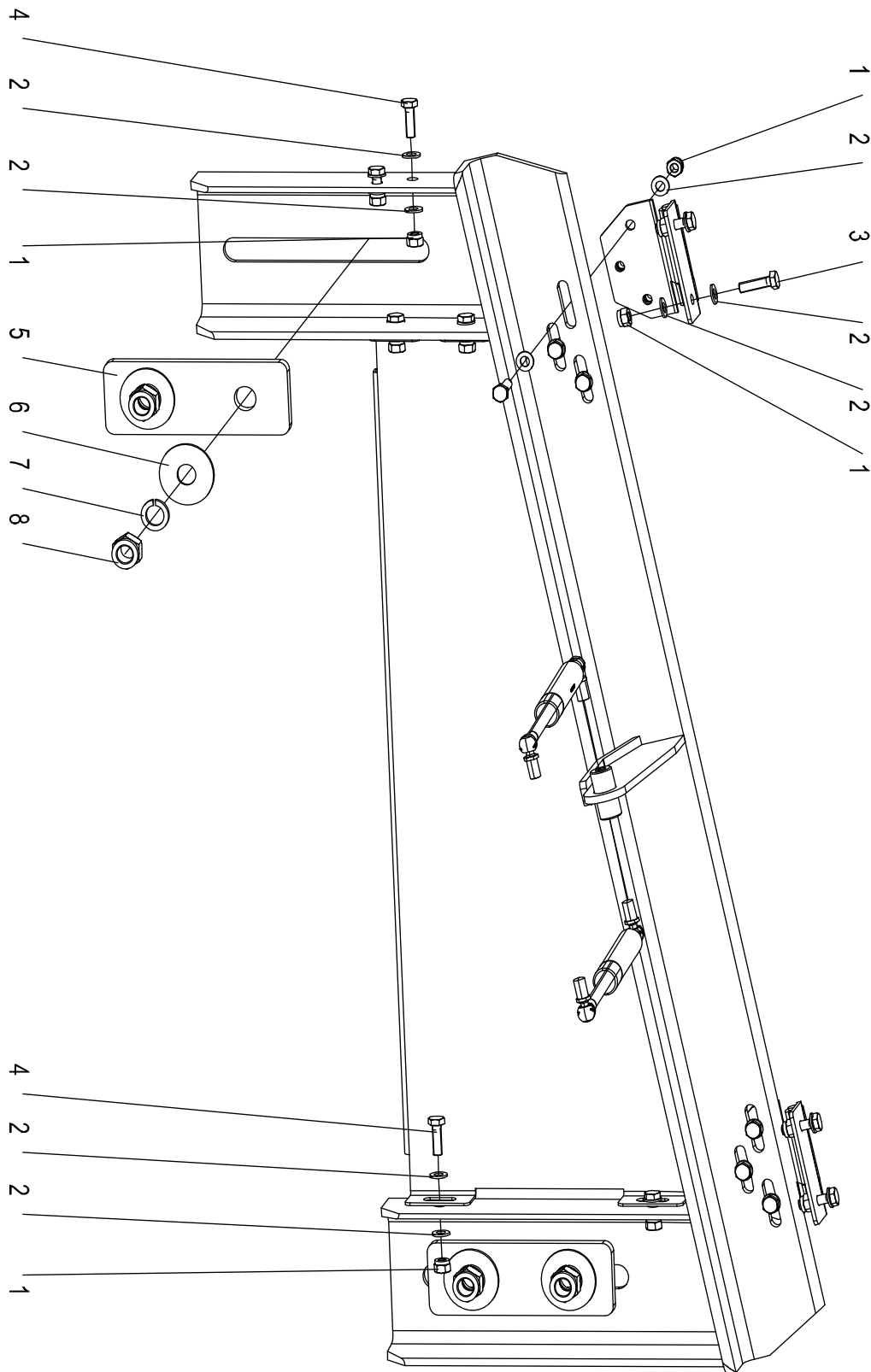
Hood Assembly 0077140110000000



Hood Assembly 0077140110000000

NO.	Material No.	Item and Spec	Qty	Remark
1	00771601103401010	Plate	1	
2	1109800044	Lock	2	
3	00771601103001010	Door plate	1	
4	1040101640	Screw	8	
5	1040201166	Nut	8	GB/T6170-2000
6	1040300585	Gasket	8	
7	1999905631	Hinge	1	LC254-1
8	1040100371	Screw	5	GB/T818-2000
9	1101000152	Hinge	1	
10	1040301515	Gasket	133	GB/T97.1-2002
11	1040201078	Nut	5	GB/T6170-2000
12	00771401110800000	Hood weldment	1	
13	00771401110600000	Hood weldment	1	
14	00771401110200000	Hood weldment	1	
15	00771401110400000	Hood weldment	1	
16	00771401110001120	Seal plate 6	1	
17	1040200503	Nut	64	GB/T889.1-2000
18	00771401110001110	Bending plate 2	1	
19	1040004519	Bolt	24	GB/T5783-2000
20	00771401110001090	Seal plate 5	1	
21	1040004678	Door stopper bolt	8	
22	1040200504	Nut	35	GB/T889.1-2000
23	00771401110001100	Bending plate 1	1	
24	00771401110001050	Seal plate 2	1	
25	00771401111400000	Hood mounting bracket	1	
26	1101000089	Hinge	8	
27	00771401111600000	Hood mounting bracket	1	
28	1110100324	Gas spring	4	
29	00771401110001060	Seal plate 3	1	
30	1100700163	Door handle	4	
31	00771101100001020	Mounting plate	1	
32	1109900779	Door lock	2	
33	00771401112000000	Lock seat	2	
34	1110100308	Gas spring	4	

Hood Mounting Bracket 00771401111600000



A

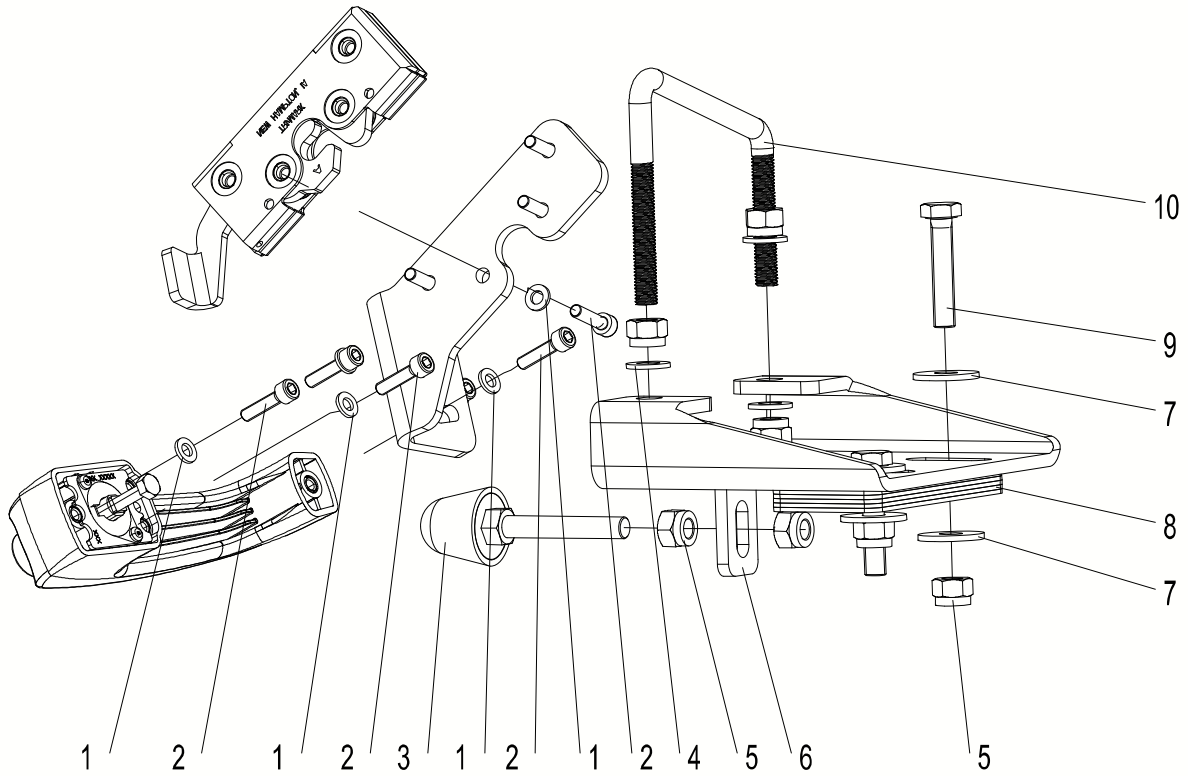
TURNTABLE

Hood Mounting Bracket 0077140111600000

NO.	Material No.	Item and Spec	Qty	Remark
1	1040200503	Nut	64	GB/T889.1-2000
2	1040301515	Gasket	133	GB/T97.1-2002
3	1040004520	Bolt	40	
4	1040004519	Bolt	24	GB/T5783-2000
5	00771401110001030	Press plate	8	
6	1040302513	Gasket	16	GB/T96.1-2002
7	1040301505	Gasket	16	GB/T93-1987
8	1040200161	Nut	16	GB/T889.1-2000

Lock Seat 0077140111200000

(B)



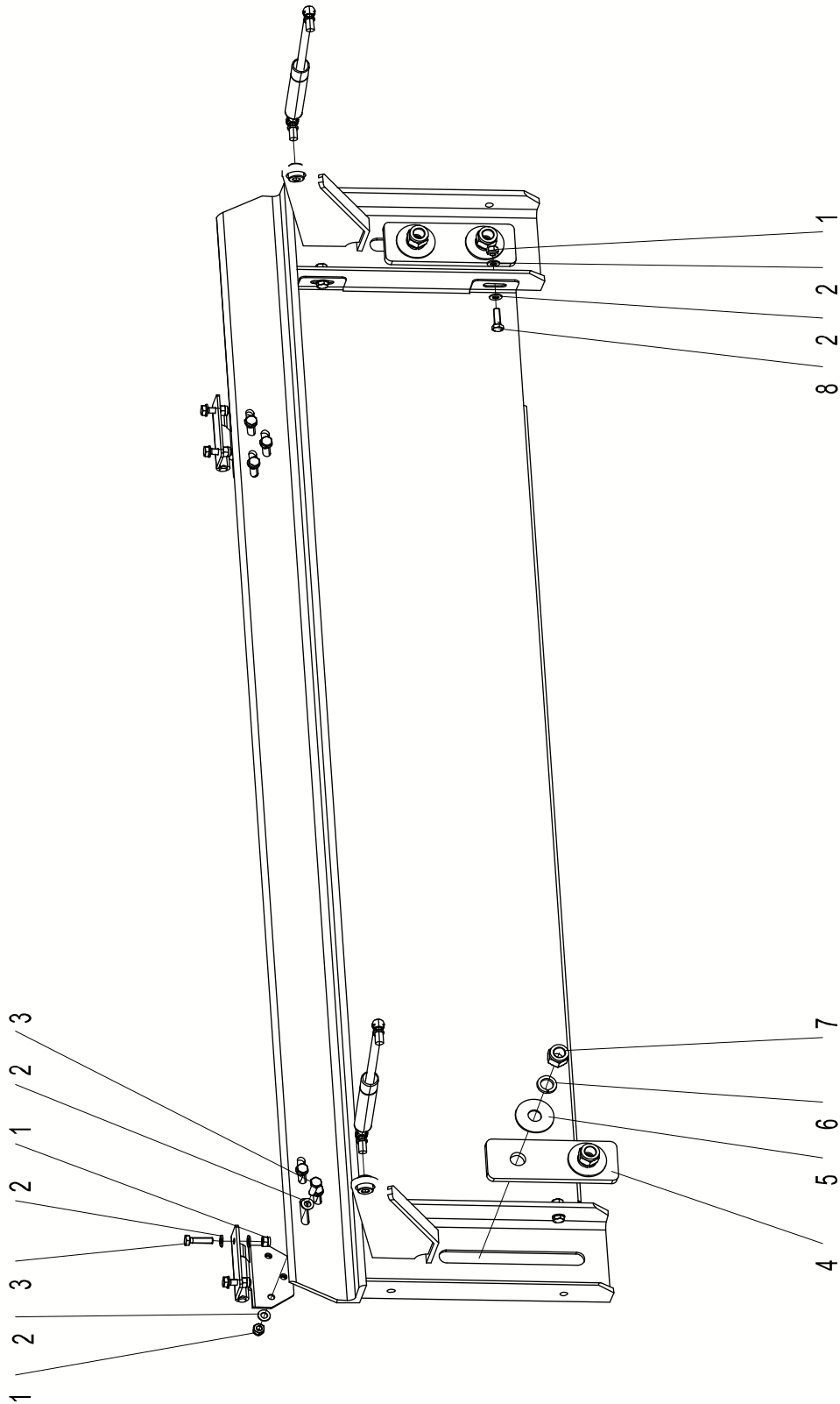
Lock Seat 00771401112000000

NO.	Material No.	Item and Spec	Qty	Remark
1	1040300771	Gasket	36	GB/T97.1-2002
2	1040100105	Screw	36	GB/T70.1-2000
3	1040004678	Door stopper bolt	8	
4	1040302489	Gasket	8	GB/T97.1-2002
5	1040200504	Nut	35	GB/T889.1-2000
6	00771401112001010	Lock seat	2	
7	1040302512	Gasket	8	GB/T96.1-2002
8	00771401110001070	Adjustable pad	15	
9	1040004509	Bolt	4	GB/T5783-2000
10	00771401112001020	Round steel	2	

Hood Mounting Bracket 00771401111000000

TURNTABLE

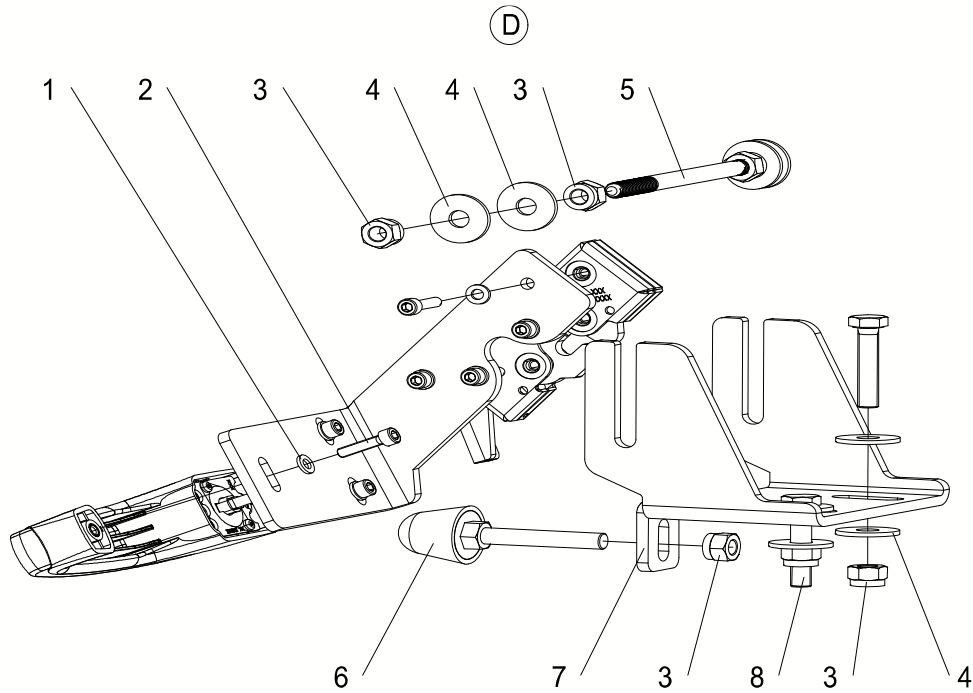
C



Hood Mounting Bracket 0077140111000000

NO.	Material No.	Item and Spec	Qty	Remark
1	1040200503	Nut	64	GB/T889.1-2000
2	1040301515	Gasket	133	GB/T97.1-2002
3	1040004520	Bolt	40	
4	00771401110001030	Press plate	8	
5	1040302513	Gasket	16	GB/T96.1-2002
6	1040301505	Gasket	16	GB/T93-1987
7	1040200161	Nut	16	GB/T889.1-2000
8	1040004519	Bolt	24	GB/T5783-2000

Lock Seat 007714011118000000

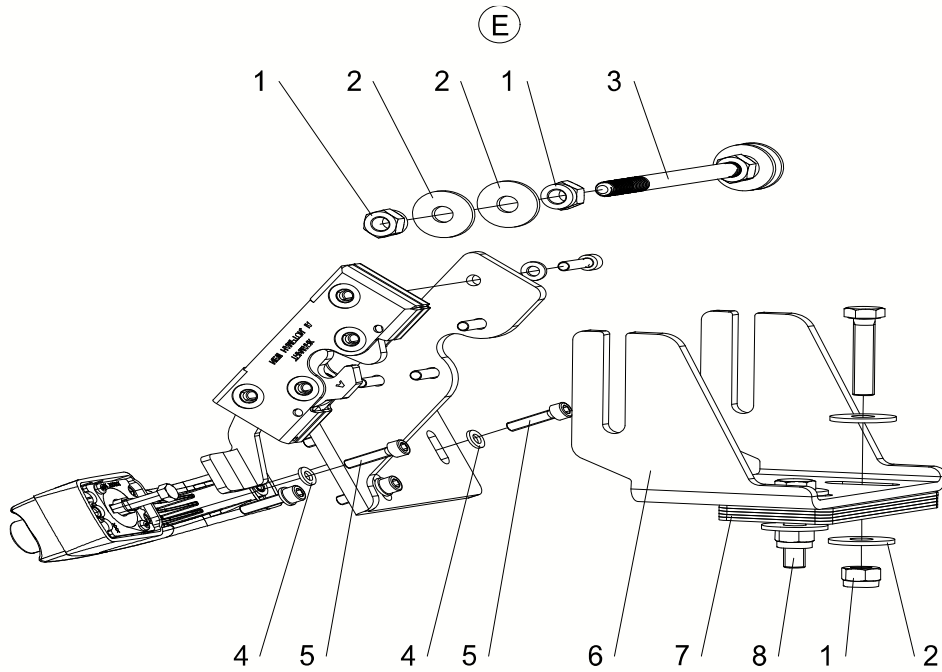


TURNABLE

Lock Seat 007714011118000000

NO.	Material No.	Item and Spec	Qty	Remark
1	1040300771	Gasket	36	GB/T97.1-2002
2	1040100105	Screw	36	GB/T70.1-2000
3	1040200504	Nut	35	GB/T889.1-2000
4	1040302512	Gasket	8	GB/T96.1-2002
5	00771401111801020	Round steel	2	
6	1040004678	Door stopper bolt	8	
7	00771401111801010	Lock seat	1	
8	1040004509	Bolt	4	GB/T5783-2000

Lock Seat 00771401112400000

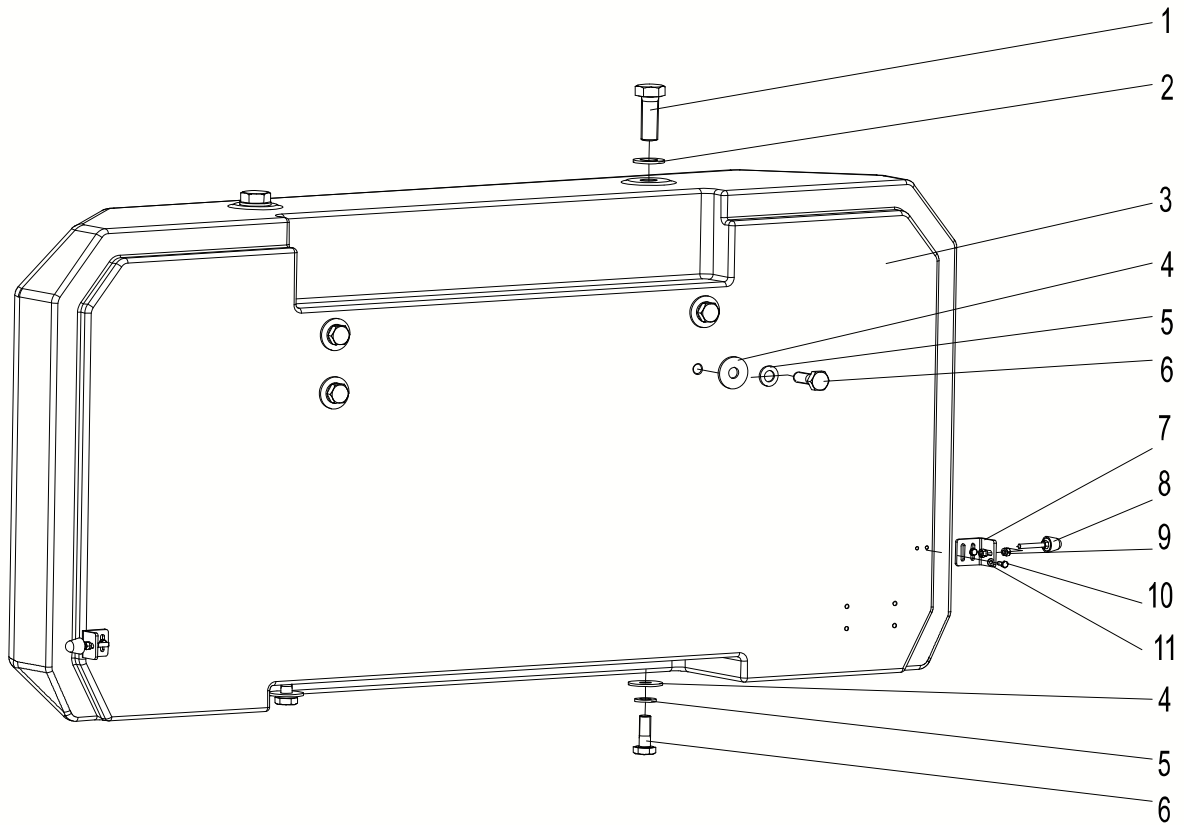


TURNABLE

Lock Seat 00771401112400000

NO.	Material No.	Item and Spec	Qty	Remark
1	1040200504	Nut	35	GB/T889.1-2000
2	1040302512	Gasket	8	GB/T96.1-2002
3	00771401111801020	Round steel	2	
4	1040300771	Gasket	36	GB/T97.1-2002
5	1040100105	Screw	36	GB/T70.1-2000
6	00771401112401010	Lock seat	1	
7	00771401110001070	Adjustable pad	15	
8	1040004509	Bolt	4	GB/T5783-2000

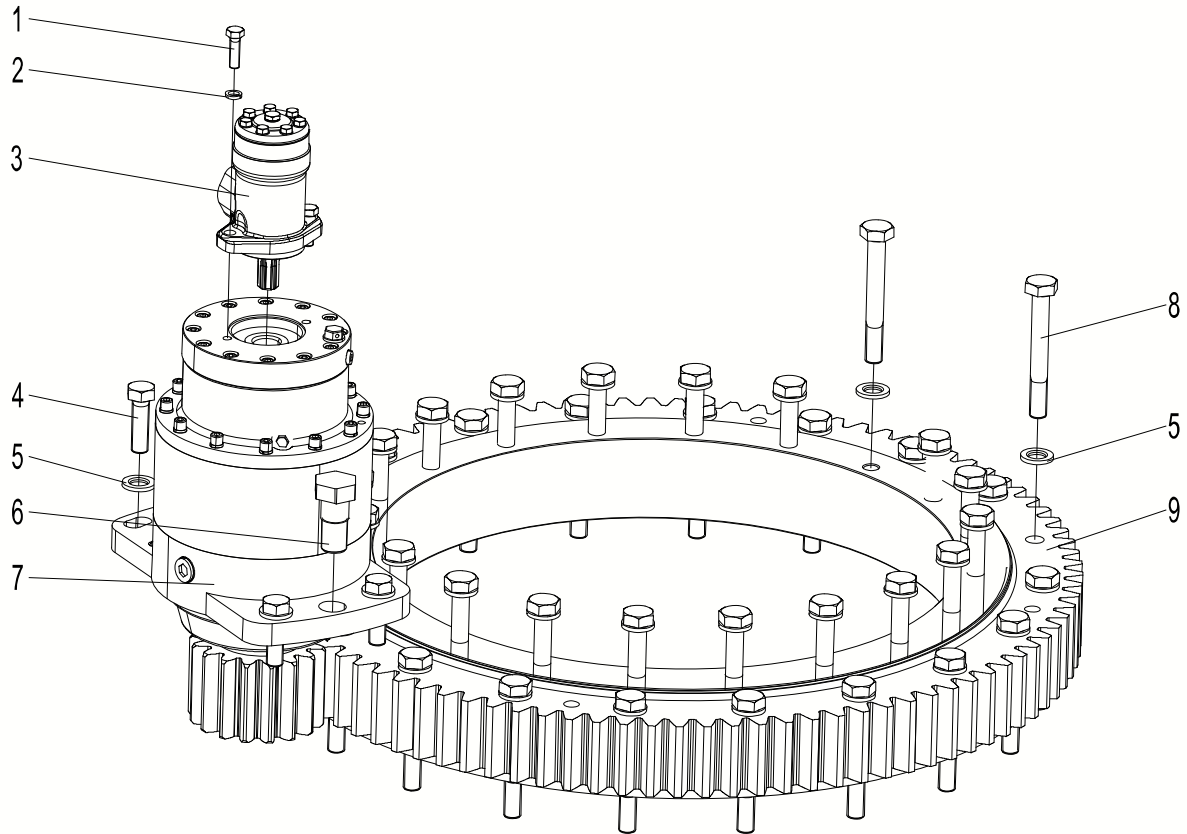
Counterweight Assembly 0077140100000000



Counterweight Assembly 0077140100000000

NO.	Material No.	Item and Spec	Qty	Remark
1	1040003627	Bolt M36×100-10.9	2	GB/T5783-2000
2	1040301514	Gasket36-200HV	2	GB/T97.1-2002
3	00771401000001010	Counterweight	1	
4	1040302483	Gasket 24-200HV	6	GB/T96.1-2002
5	1040301521	Gasket24	6	GB/T5782-2000
6	1040004530	Bolt M24×70-10.9	6	GB/T1228-1991
7	00771401000001020	Plate	2	
8	1040004678	Door stopper bolt M10×70	2	
9	1040200504	Nut M10-8	4	GB/T889.1-2000
10	1040004518	Bolt M8×20-8.8	4	GB/T5783-2000
11	1040301515	Gasket8-200HV	4	GB/T97.1-2002

Slewing Mechanism 0077140090000000



TURNABLE

Slewing Mechanism 00771400900000000

NO.	Material No.	Item and Spec	Qty	Remark
1	1040004029	BoltM12×35	2	GB/T5783-2000
2	1040301503	Gasket12	2	GB/T93-1987
3	1010101004	Slewing motor	1	
4	1040004501	BoltM20×60-10.9	5	GB/T5783-2000
5	1040302502	Gasket20	45	GB/T1230-1991
6	00771400900001010	Locking pin	1	
7	1030202201	Rotary reducer	1	
8	1040005853	BoltM20×140-10.9	40	GB/T1228-1991
9	1031500350	Slewing bearing 011.40.0800.121.04.15F1	1	

ZOOMLION

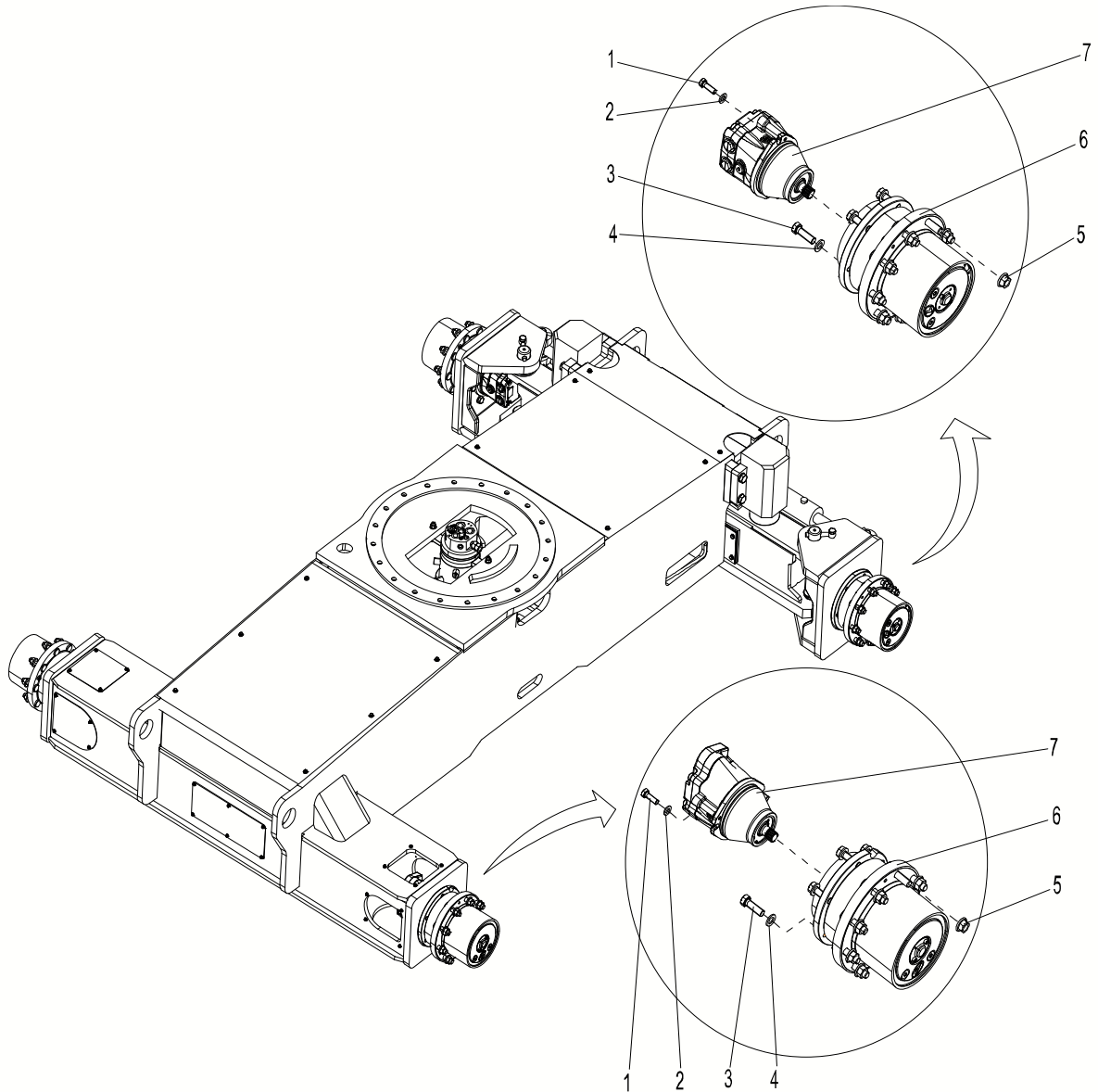
Parts Manual

Section 4 Chassis



Chassis Assembly 0077140281000000

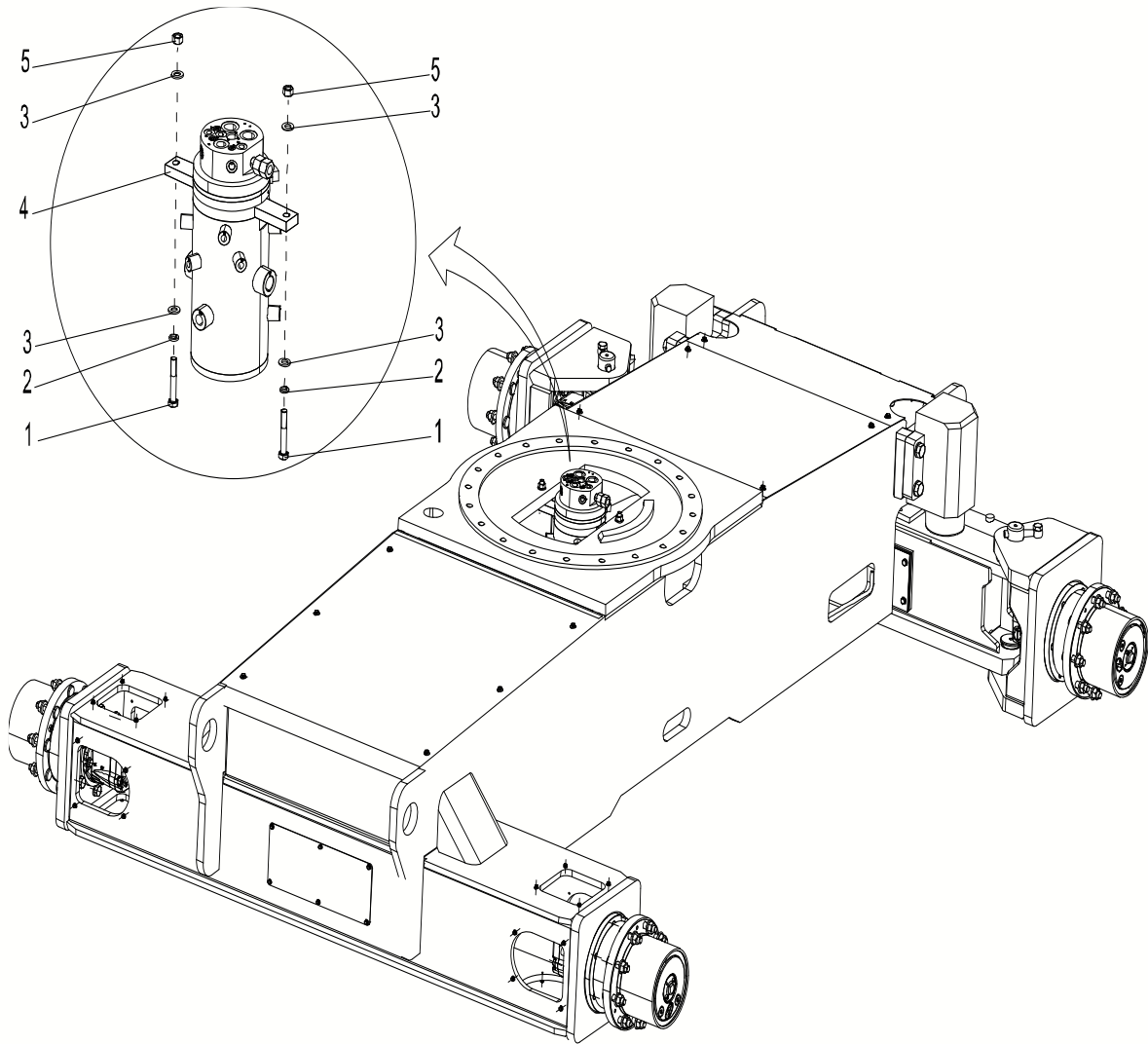
CHASSIS



Chassis Assembly 0077140281000000

NO.	Material No.	Item and Spec	Qty	Remark
1	1040000575	Bolt M12×35-10.9	8	GB/T5783-2000
2	1040302490	Gasket 12-200HV	8	GB/T97.1-2002
3	1040102055	Screw M16×45-10.9	48	GB/T70.1-2000
4	1040302492	Gasket 16-200HV	48	GB/T97.1-2002
5	1040201907	Hexagon nut with flange M22×1.5-10	40	GB/T6177.2-2016
6	1030800591	Reducer	4	
7	1010100907	Travel motor	4	

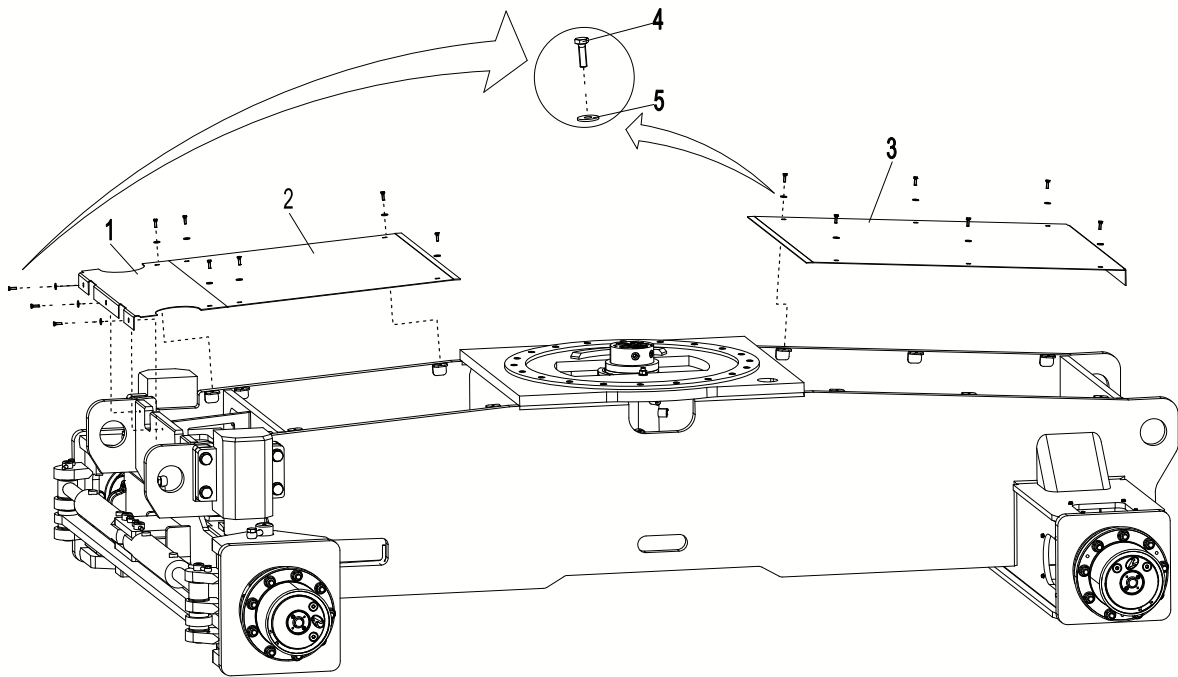
Chassis Assembly 0077140281000000



Chassis Assembly 0077140281000000

NO.	Material No.	Item and Spec	Qty	Remark
1	1040002240	Bolt M12×75-10.9	2	GB/T5782-2000
2	1040300054	Gasket 12	2	GB/T93-1987
3	1040302490	Gasket 12-200HV	4	GB/T97.1-2002
4	1011200104	Centre revolving joint	1	
5	1040201381	NutM12-8	2	GB/T6170-2000

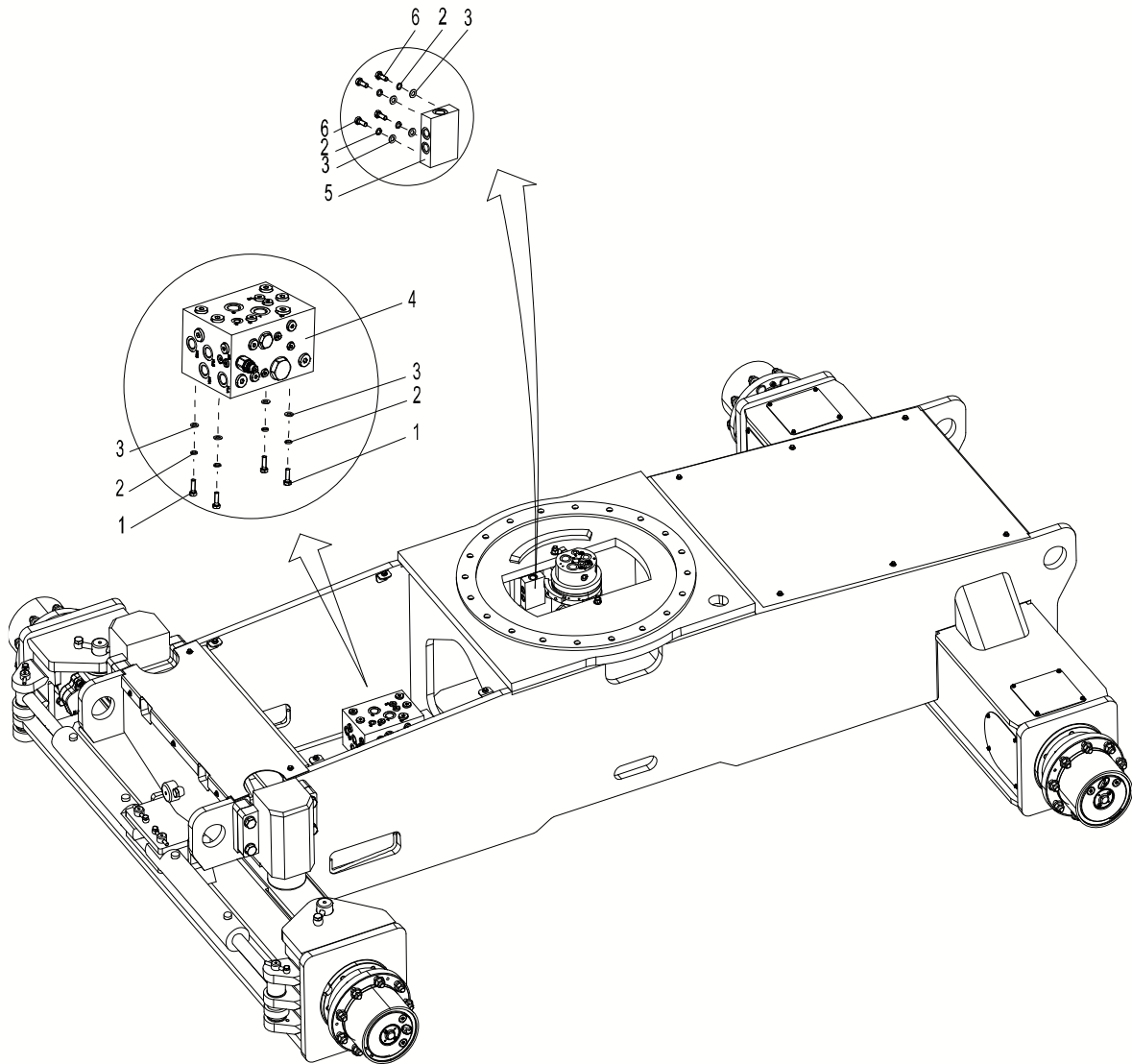
Chassis Assembly 0077140281000000



Chassis Assembly 0077140281000000

NO.	Material No.	Item and Spec	Qty	Remark
1	00771402800001210	Cover plate	1	
2	00771402800001060	Cover plate	1	
3	00771402800001050	Cover plate	1	
4	1040004517	Bolt M8×16-8.8	46	GB/T5783-2000
5	1040301515	Gasket 8-200HV	46	GB/T97.1-2002

Chassis Assembly 0077140281000000

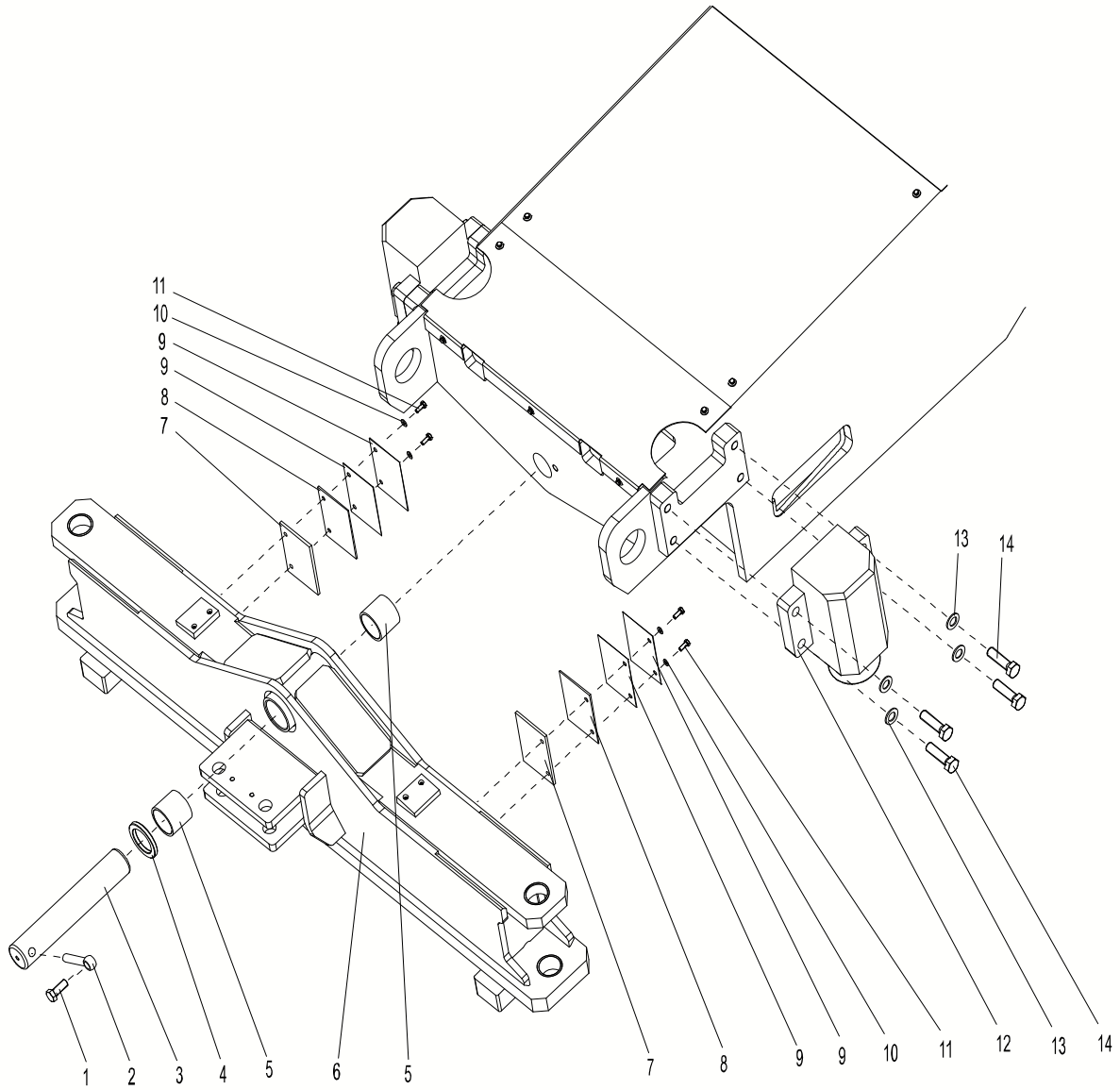


Chassis Assembly 0077140281000000

NO.	Material No.	Item and Spec	Qty	Remark
1	1040004519	Bolt M8×25-8.8	4	GB/T5783-2000
2	1040301510	Gasket 8	8	GB/T93-1987
3	1040301515	Gasket 8-200HV	8	GB/T97.1-2002
4	1019807528	Travel control valve	1	
5	00771405200601010	Return oil block	1	
6	1040004518	Bolt M8×20-8.8	4	GB/T5783-2000

Chassis Assembly 0077140281000000

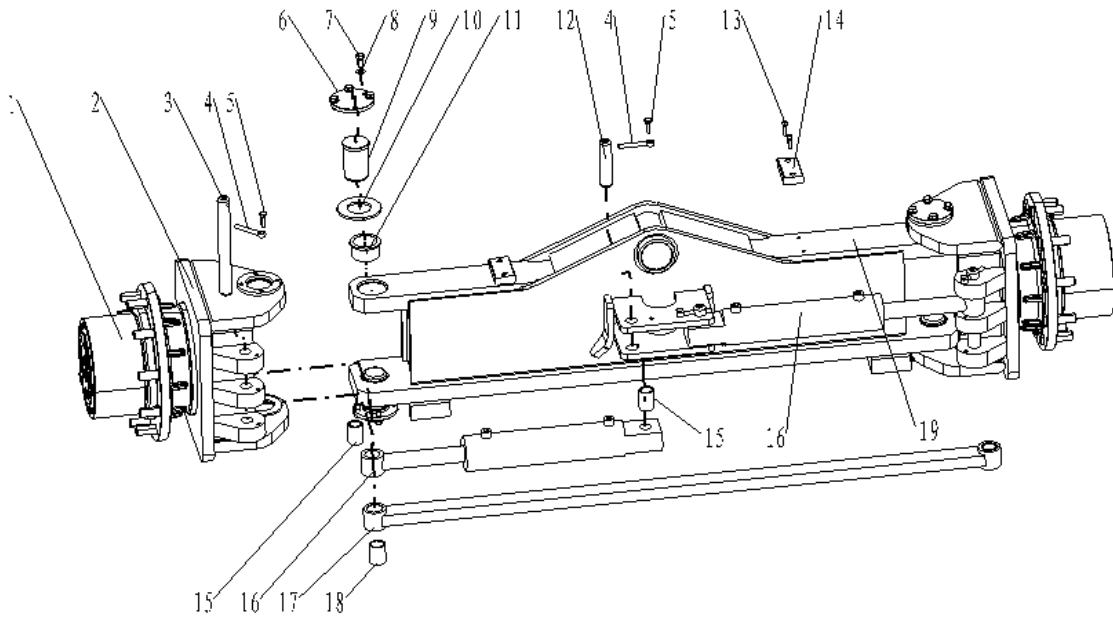
CHASSIS



Chassis Assembly 0077140281000000

NO.	Material No.	Item and Spec	Qty	Remark
1	1040004499	Bolt M20×45-8.8	1	GB/T5783-2000
2	00773400400001170	Stop pin	1	
3	00771402800001010	Pin	1	
4	00771402800001070	Spacer	1	
5	00771402800001130	Self-lubricating bearing	2	
6	00771402810400000	Axle weldment	1	
7	00771402800001100	Plate	2	
8	00771402800001090	Plate	6	
9	00771402800001080	Plate	4	
10	1040301515	Gasket 8-200HV	4	GB/T97.1-2002
11	1040004519	Bolt M8×25-8.8	4	GB/T5783-2000
12	00771402801200000	Float cylinder	2	
13	1040301511	Gasket 24-200HV	8	GB/T97.1-2002
14	1040005848	Bolt M24×70-10.9	8	GB/T5783-2000

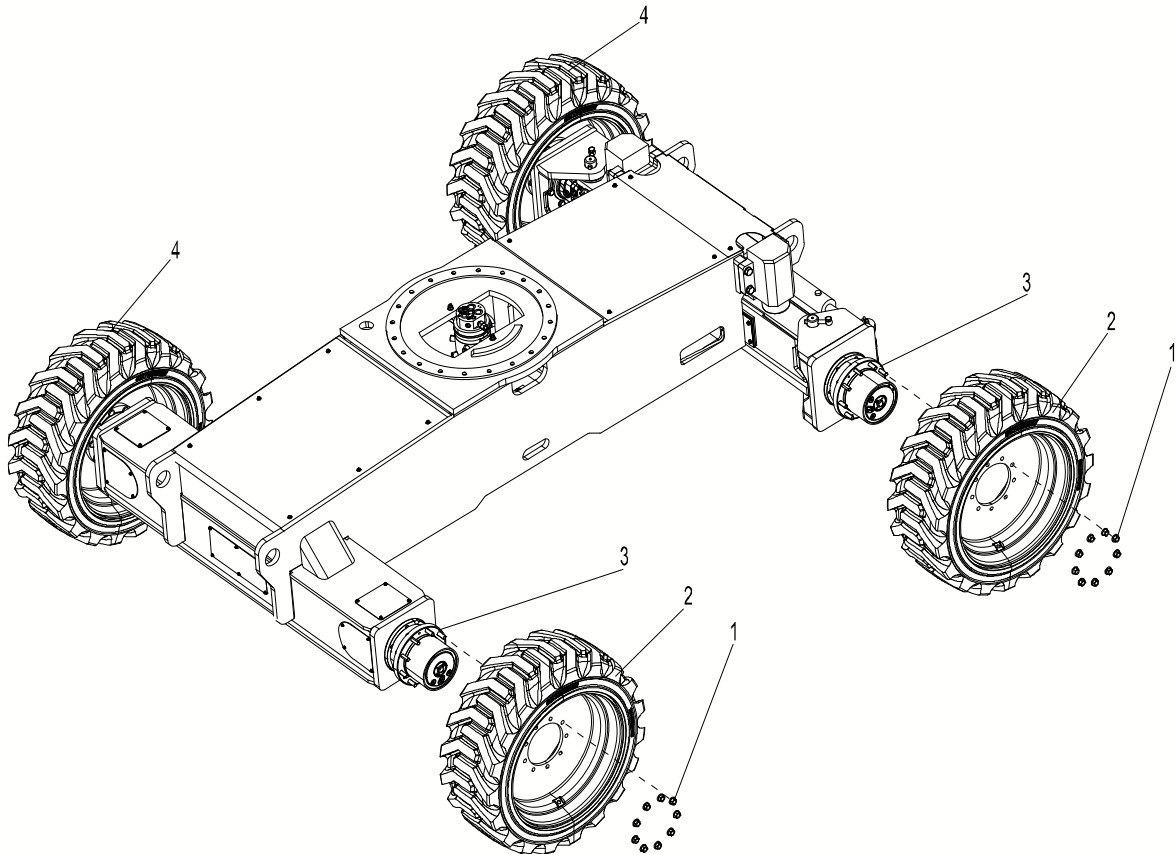
Chassis 0077140281000000



Chassis Assembly 0077140281000000

NO.	Material No.	Item and Spec	Qty	Remark
1	1030800591	Reducer	2	
2	00771402810600000	Steering support	2	
3	00771402800001040	Pin	2	
4	00773400300001200	Stop pin	4	
5	1040004565	Bolt M10×30-8.8	4	GB/T5783-2016
6	00771402810001040	Cover plate	4	
7	1040002436	Bolt M12×25-8.8	16	GB/T5783-2000
8	1040302490	Gasket 12-200HV	16	GB/T97.1-2002
9	00771402810001030	Pin	4	
10	00771402810001010	Spacer	4	
11	00771402810001020	Self-lubricating bearing	4	
12	00771402800001020	Pin	2	
13	1040102737	Screw M8×30-8.8	4	GB/T70.1-2000
14	00771402800001120	Block	2	
15	00771402800001230	Self-lubricating bearing	4	
16	00771402801400000	Steering cylinder	2	
17	00771402800800000	Steering linkage	1	
18	00771402800001150	Self-lubricating bearing	2	
19	00771402810400000	Axle weldment	1	

Chassis Assembly 0077140281000000



Chassis Assembly 0077140281000000

NO.	Material No.	Item and Spec	Qty	Remark
1	1040201907	Hexagon nut with flange M22×1.5-10	40	GB/T6177.2-2016
2	1030800590	Tire	2	
3	1030800591	Reducer	4	
4	1030800589	Tire	2	

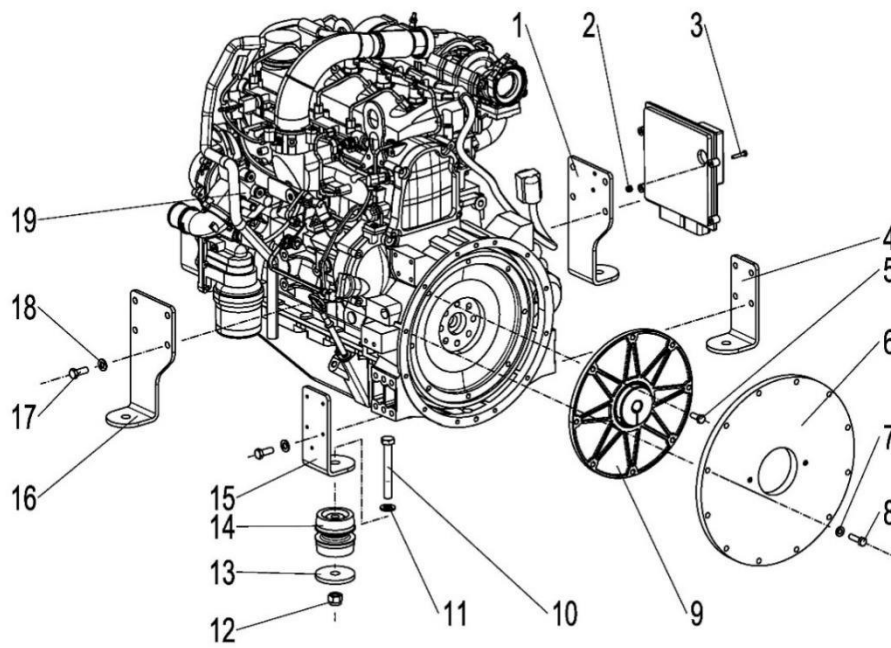
ZOOMLION

Parts Manual

Section 5 Power System



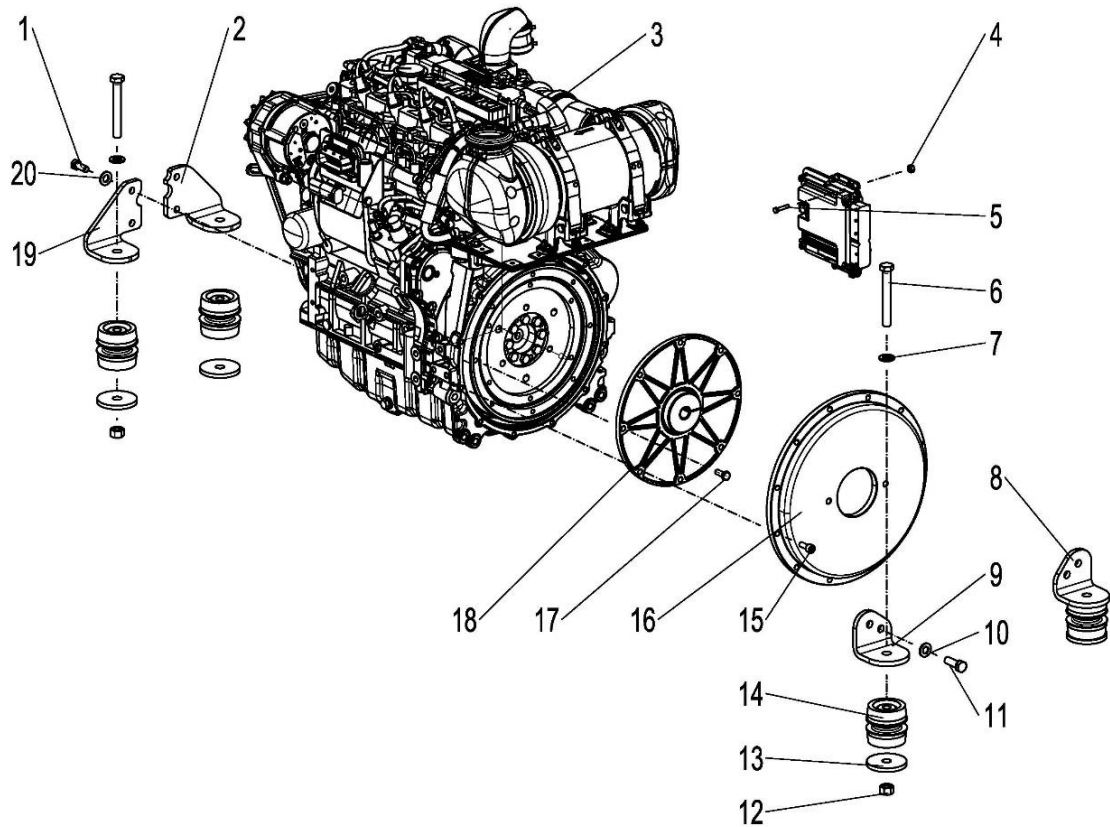
Engine Installation 0077140712020000 (Cummins Engine)



Engine Installation 00771407120200000 (Cummins Engine)

NO.	Material No.	Item and Spec	Qty	Remark
1	00771407120201030	Bending plate III Tp8	1	
2	1040201896	Nut M6-8	4	GB/T889.1-2000
3	1040002178	Bolt M6×30-8.8	4	GB/T5783-2000
4	00771407120201020	Bending plate II Tp8	1	
5	1040004033	Bolt M10×25-10.9	8	GB/T5783-2000
6	00771407120201050	Coupling cover Tp20	1	
7	1040302489	Gasket 10-200HV	12	GB/T97.1-2002
8	1040002435	Bolt M10×35-8.8	12	GB/T5783-2000
9	1030400480	Elastic coupling assembly 714368-1	1	
10	1040003912	Bolt M16×120-10.9	4	GB/T5783-2000
11	1040302492	Gasket 16-300HV	4	GB/T97.1-2002
12	1040200161	Nut M16-8	4	GB/T889-1986
13	00773407100201050	Base plate Tp8	4	
14	1001500061	Engine damper 07Y-03-10000A-00	8	
15	00771407120201010	Bending plate I Tp8	1	
16	00771407120201040	Bending plate IV Tp8	1	
17	1040004653	Bolt M12×30-10.9	16	GB/T5783-2000
18	1040302490	Gasket 12-200HV	16	GB/T97.1-2002
19	1000000735	Diesel engine QSF2.8 54kw/2400RPM	1	

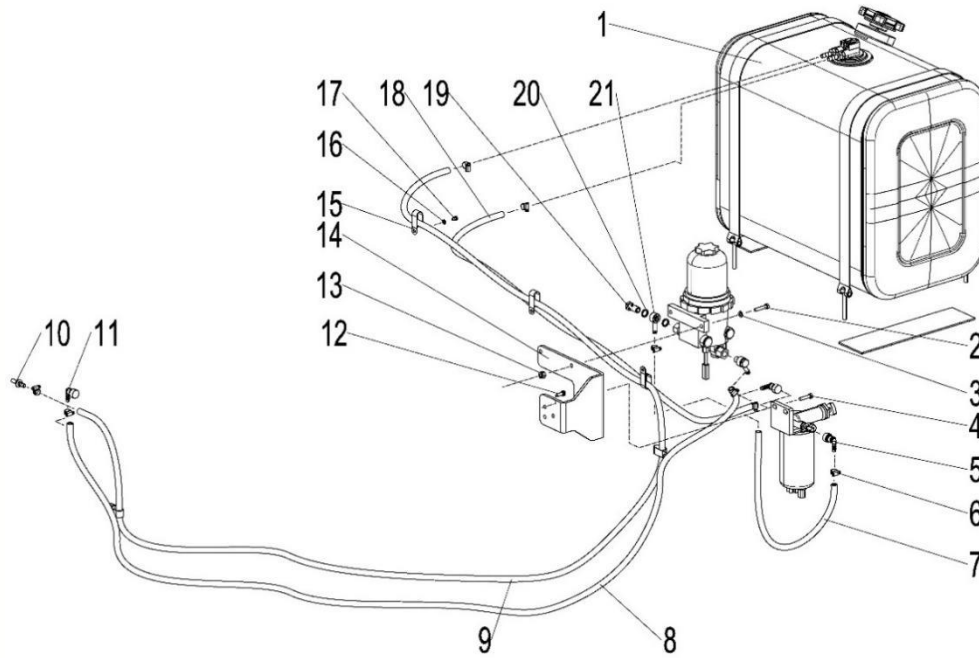
Engine Installation 00771407100200000 (Deutz Engine)



Engine Installation 00771407100200000 (Deutz Engine)

NO.	Material No.	Item and Spec	Qty	Remark
1	1040004653	Bolt M12×30-10.9	4	GB/T5783-2000
2	00773407100201040	Bending plate III Tp10	1	
3	1000000707	Diesel engine TD2.9L4	1	
4	1040201089	Nut M8-8	4	GB/T6170-2000
5	1040002178	Bolt M6×30-8.8	4	GB/T5783-2000
6	1040003912	Bolt M16×120-10.9-DKL	4	GB/T5783-200
7	1040302492	Gasket 16-300HV	4	GB/T97.1-2002
8	00773407100201020	Bending plate II Tp10	1	GB/T5783-2000
9	00773407100201010	Bending plate I Tp10	1	
10	1040302491	Gasket 14-200HV	4	GB/T97.1-2002
11	1040004513	Bolt M14×40-10.9	4	GB/T5783-2000
12	1040201382	Nut M16-8	4	GB/T6170-2000
13	00773407100201050	Base plate Tp8	4	
14	1001500061	Engine damper 07Y-03-10000A-00	8	
15	1040101492	Screw M10×25-8.8	12	GB/T70.1-2000
16	00773407100201070	Coupling coverTp44	1	
17	1040004033	Bolt M10×25-10.9	8	GB/T5783-2000
18	1030400480	Elastic coupling assembly714368-1	1	
19	00773407100201030	Bending plate IV Tp10	1	
20	1040302491	Gasket 14-140HV	4	GB/T97.1-2002

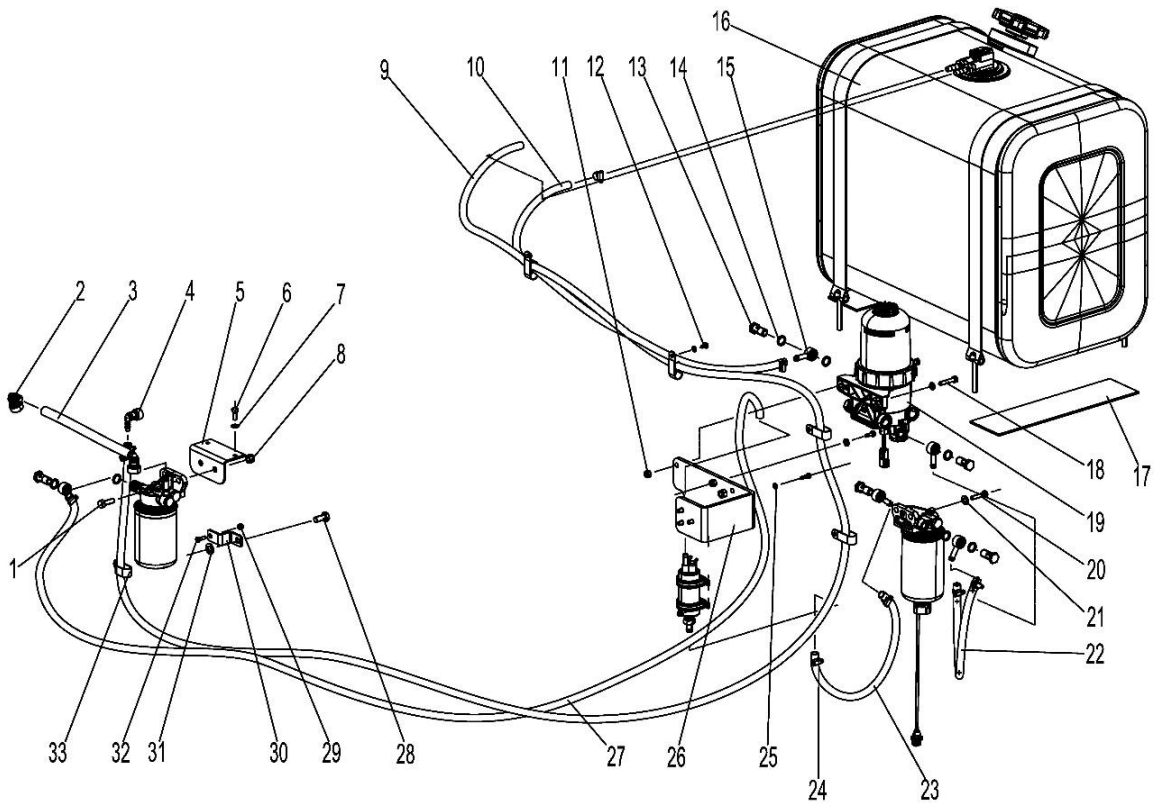
Fuel System 0077140712040000 (Cummins Engine)



Fuel System 00771407120400000 (Cummins Engine)

NO.	Material No.	Item and Spec	Qty	Remark
1	1000400477	Fuel tank assemblyCD430 150L	1	
2	1040002458	Bolt M8×40-8.8	2	GB/T5783-2000
3	1040301515	Gasket 8-200HV	7	GB/T97.1-2002
4	1040004619	Bolt M8×35-8.8	2	GB/T5783-2000
5	1140114594	Quick-change connector D9.49>PA12	2	
6	1990202279	Clamp SX9/W4/12-20	8	
7	00771407120401030	Fuel pipe II O10×3	1	
8	00771407120401040	Fuel pipe III O10×3	1	
9	00771407120401050	Fuel pipe IV O10×3	1	
10	1140114596	Quick-change connector >PA7.89	1	
11	1140114593	Quick-change connector CWDGBD7.89	1	
12	1040004518	Bolt M8×20-8.8	3	GB/T5783-2000
13	1040200504	Nut M10-8	4	GB/T889.1-2000
14	00771407120401010	Bending plate I Tp8	1	
15	1990200692	Plastic coated wire ropes 20-φ20- φ20-M8	5	
16	1040300771	Gasket 6-200HV	5	GB/T97.1-2002
17	1040005844	Bolt M6×10-8.8	5	GB/T5783-2000
18	00771407120401020	Fuel pipe I O10×3	1	
19	00773407100401060	Bolt M16×1.5×35	2	
20	1081000673	Sealed gasket JB/T982-1977 16	4	
21	00773407100401050	Connector II<o>10	2	

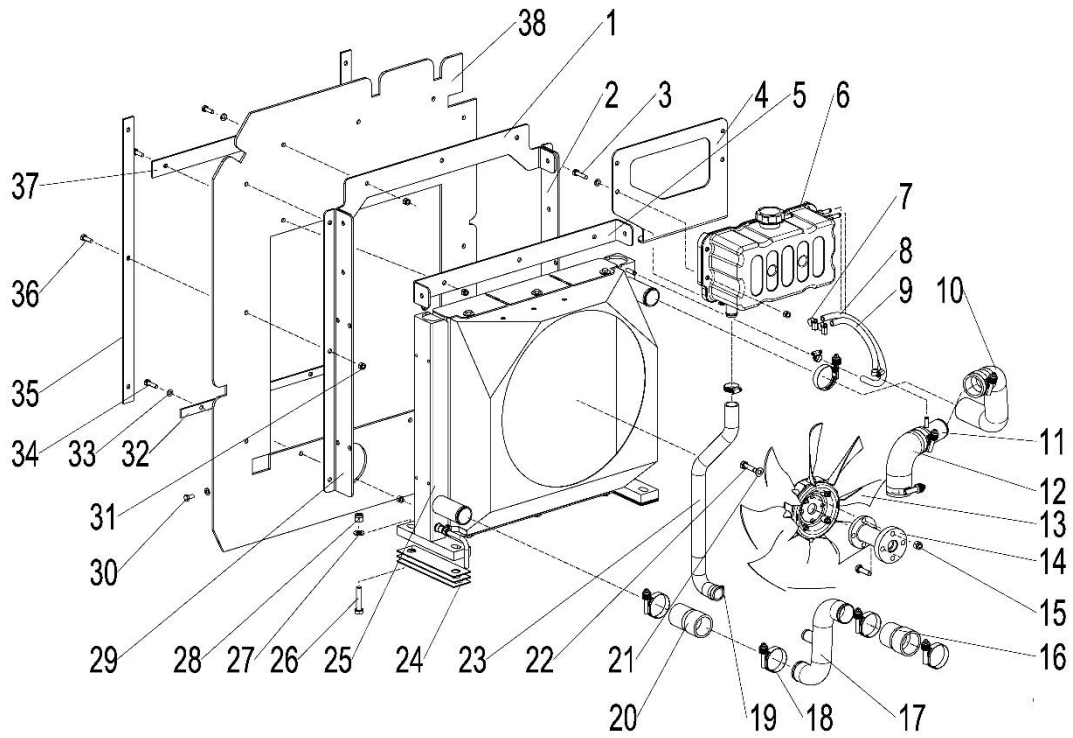
Fuel System 0077140710040000 (Deutz Engine)



Fuel System 00771407100400000 (Deutz Engine)

NO.	Material No.	Item and Spec	Qty	Remark
1	1040004565	Bolt M10×30-8.8	2	GB/T5783-2000
2	1149901739	Quick-change connector	2	
3	00771107100401070	Bending plate Tp4	1	
4	1149901738	Quick-change connector	1	
5	00773407100401030	Bending plate III Tp4	1	
6	1040004518	Bolt M8×20-8.8	5	GB/T5783-2000
7	1040301515	Gasket 8-200HV	8	GB/T97.1-2002
8	1040200504	Nut M10-8	4	GB/T889.1-2000
9	00771407100401020	Fuel pipe I O10×3	1	
10	00771407100401060	Fuel pipe V O10×3	1	
11	1040200503	Nut M8-8	2	GB/T889.1-2000
12	1040005844	Bolt M6×10-8.8	4	GB/T5783-2000
13	00773407100401060	Bolt M16×1.5×35	5	
14	1081000673	Sealed gasket JB/T982-1977 16	10	
15	00773407100401050	Connector II<O>10	5	
16	1000400477	Fuel tank assemblyCD430 150L	1	
17	00771407100401090	Base plate T4	2	
18	1040002458	Bolt M8×40-8.8	2	GB/T5783-2000
19	1000400478	Oil-water separator FH2380500M	1	
20	1040004619	Bolt M8×35-8.8	2	GB/T5783-2000
21	1040302489	Gasket 10-200HV	2	GB/T97.1-2002
22	00771407100401040	Fuel pipe III O10×3	1	
23	00771407100401030	Fuel pipe II O12×4	1	
24	1990202279	Clamp SX9/W4/12-20 12-20	12	
25	1040300771	Gasket 6-200HV	10	GB/T97.1-2002
26	00771407100401100	Bending plate IV Tp8	1	
27	00771407100401050	Fuel pipe IV O10×3	1	
28	1040002436	Bolt M12×25-8.8	1	GB/T5783-2000
29	1040201896	Nut M6-8	5	GB/T889.1-2000
30	00771407100401070	Fuel pipe VI O12×4	1	
31	1040302490	Gasket 12-200HV	1	
32	1040001631	Bolt M6×20-8.8	5	GB/T5783-2000
33	1990200692	Plastic coated wire ropes20-φ20-φ20-M8	5	

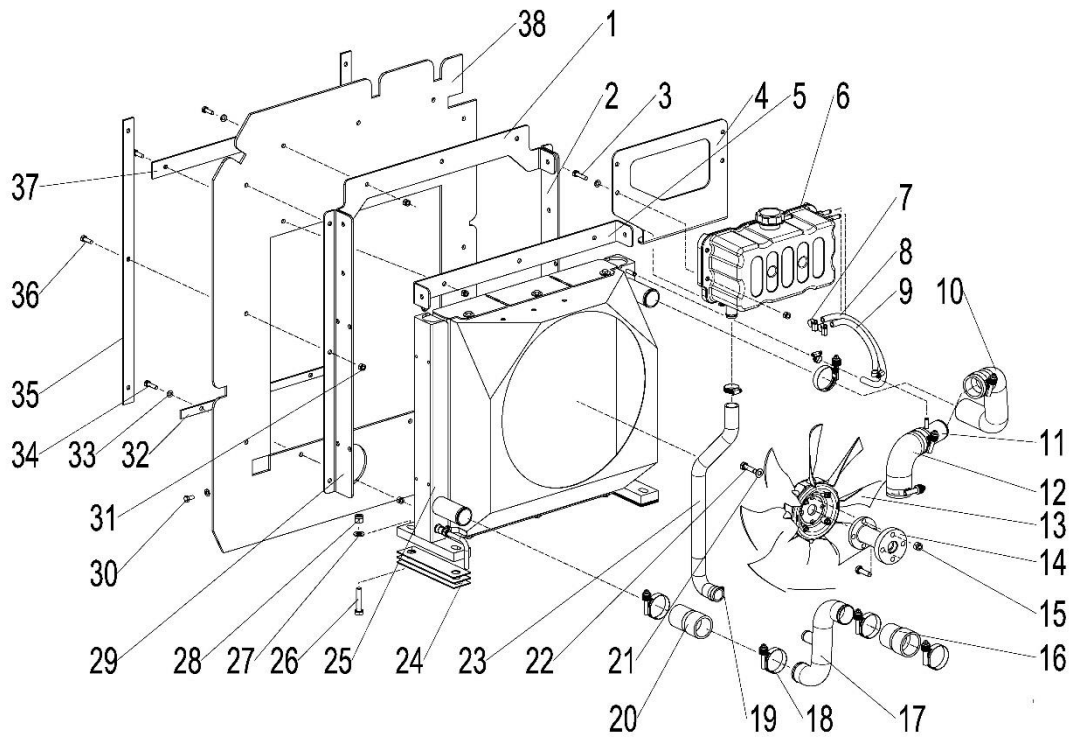
Cooling System 0077140712060000 (Cummins Engine)



Cooling System 00771407120600000 (Cummins Engine)

NO.	Material No.	Item and Spec	Qty	Remark
1	00771407120601160	Bending plate V Tp4	1	
2	00771407120601130	Bending plate III Tp4	1	
3	1040004619	Bolt M8×35-8.8	4	
4	00771407120601110	Bending plate I Tp4	1	
5	00771407120601140	Bending plate IV Tp4	1	
6	1000300735	Water tank 1311-01690 4L	1	
7	1990202279	Clamp SX9/W4/12-20	4	
8	00771407120601050	Rubber steam hose I O8×3.5	1	
9	00771407120601060	Rubber steam hose II O8×3.5	1	
10	00771407120601020	Hose II O45×5	1	
11	00771407120601070	Connector Ow45×1.5	1	
12	00771407120601030	Hose III O45×5	1	
13	1000300809	Fan assembly WFCN19F00025390_8- 8_S1HR_45_PAG_2640RPM	1	
14	00771407120601080	Fan cushion block <o>83	1	
15	1040200504	Nut M10-8	4	GB/T889.1-2000
16	00771407120601100	Hose Connector II O45×5	1	
17	00771407120601010	Return pipe Ow45×1.5	1	
18	1990202283	Gasket Clamp SX15.8/W4/45-67	8	
19	1990202282	Clamp SX9/W4/25-40	2	
20	00771407120601090	Hose Connector I O45×5	1	
21	1040302489	Gasket 10-200HV	8	GB/T97.1-2002
22	1040002435	Bolt M10×35-8.8	8	GB/T5783-2000
23	00771407120601040	Water supply pipe O25×3.5	1	
24	00771407100601170	Base plate T2	6	
25	1000300776	Cooling assembly 4821.217.0000v1	1	
26	1040002262	Bolt M12×55-10.9	4	GB/T5783-2000
27	1040302490	Gasket 12-200HV	4	GB/T97.1-2002
28	1040200507	Nut M12-8	4	GB/T889-1986
29	00771407120601120	Bending plate II Tp4	1	
30	1040004517	Bolt M8×16-8.8	11	

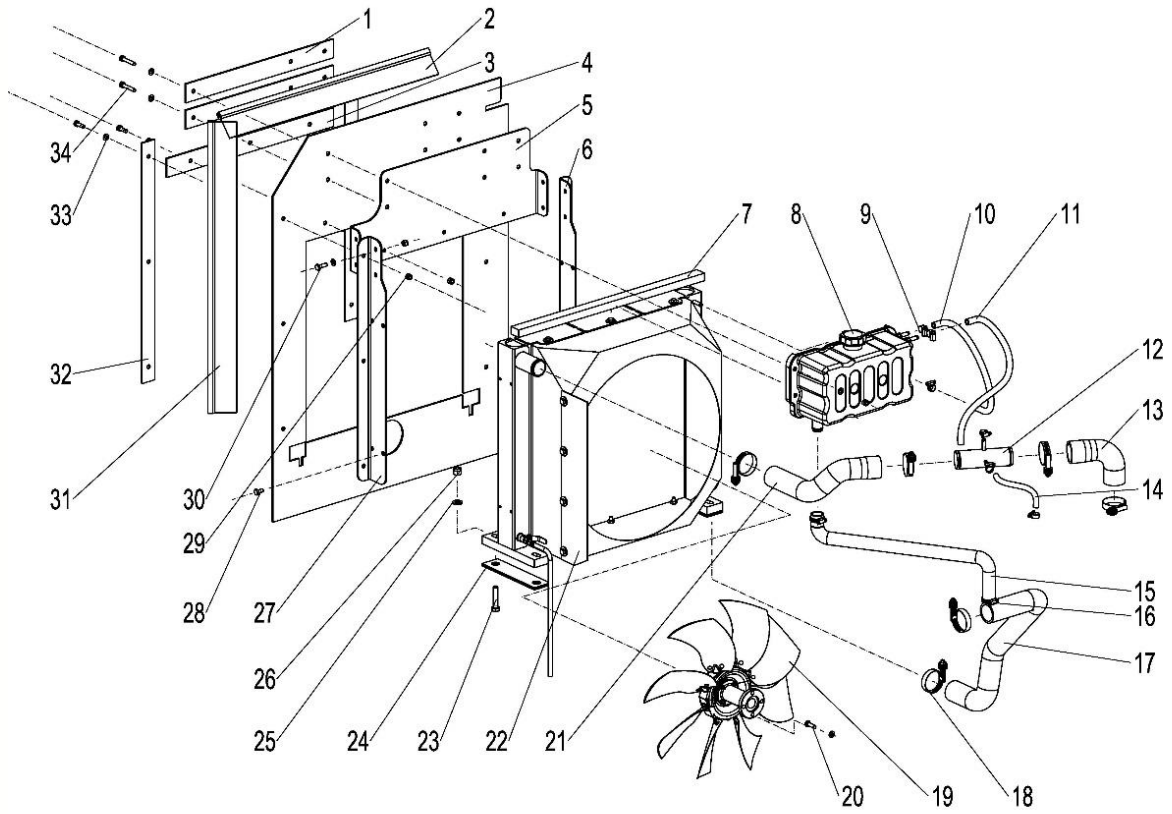
Cooling System 0077140712060000 (Cummins Engine)



Cooling System 0077140712060000 (Cummins Engine)

NO.	Material No.	Item and Spec	Qty	Remark
31	1040200503	Nut M8-8	22	GB/T889.1-2000
32	00771407120601190	Plate III Tp4	1	
33	1040301515	Gasket 8-200HV	33	GB/T97.1-2002
34	1040004520	Bolt M8×30-8.8	2	GB/T5783-2000
35	00771407120601180	Plate II Tp4	2	
36	1040004519	Bolt M8×25-8.8	16	GB/T5783-2000
37	00771407120601170	Plate I Tp4	2	
38	00771407120601150	Wind shield T6	1	

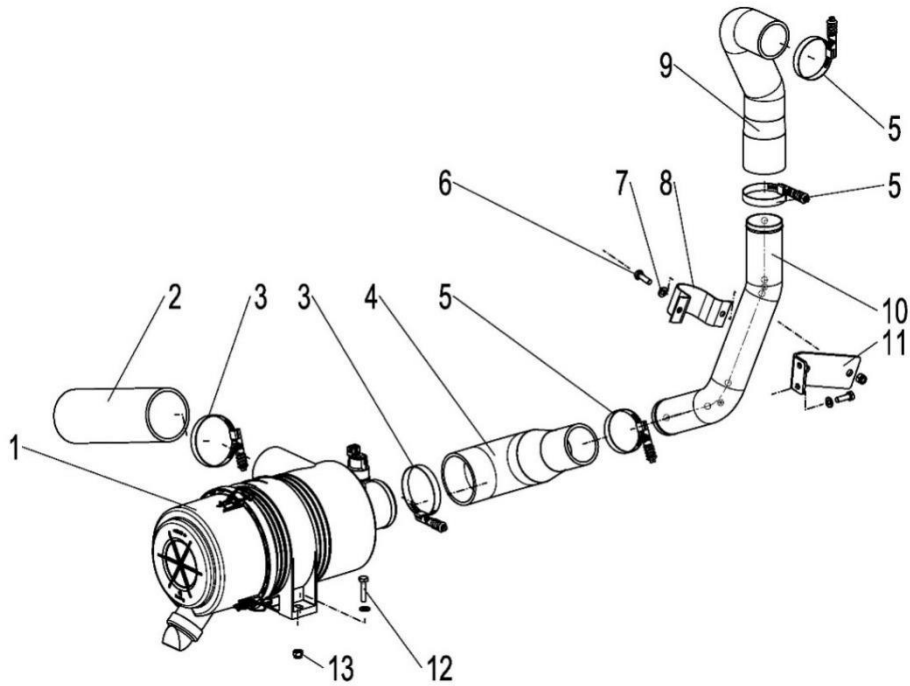
Cooling System 0077140710060000 (Deutz Engine)



Cooling System 00771407100600000 (Deutz Engine)

NO.	Material No.	Item and Spec	Qty	Remark
1	00771407100601240	Plate III Tp4	2	
2	00771407100601270	Sealing strip I	1	
3	00771407100601160	Plate I Tp4	1	
4	00771407100601130	Wind shield T4	1	
5	00771407100601120	Bending plate II Tp4	1	
6	00771407100601100	Bending plate IV Tp4	1	
7	00771407100601290	Sponge bar I T20	1	
8	1000300735	Water tank 1311-01690 4L	1	
9	1990202279	Clamp SX9/W4/12-20	6	
10	00771407100601090	Rubber steam hose I O8×3.5	1	
11	00771407100601070	Rubber steam hose II O8×3.5	1	
12	00771407100601250	Connector Ow45×1.5	1	
13	00771407100601050	Hose Connector II O42×5	1	
14	00771407100601260	Rubber steam hose III O6×3.5	1	
15	00771407100601080	Water supply pipe O25×3.5	1	
16	1990202282	Clamp SX9/W4/25-40	2	
17	00771407100601040	Hose Connector III O42×5	1	
18	1990202283	Gasket Clamp SX15.8/W4/45-67	6	
19	1000300702	Fan assembly WFLCN1756321	1	
20	1040004519	Bolt M8×25-8.8	4	GB/T5783-2000
21	00771407100601060	Hose Connector I O42×5	1	
22	1000300701	Cooling assembly 4821.107.0000v1	1	
23	1040002262	Bolt M12×55-10.9	4	GB/T5783-2000
24	00771407100601170	Base plate T2	6	
25	1040302490	Gasket 12-200HV	4	GB/T97.1-2002
26	1040200507	Nut M12-8	4	GB/T889.1-2000
27	00771407100601110	Bending plate III Tp4	1	
28	1040004517	Bolt M8×16-8.8	8	GB/T5783-2000
29	1040200503	Nut M8-8	19	GB/T889.1-2000
30	1040004519	Bolt M8×25-8.8	16	GB/T5783-2000
31	00771407100601280	Sealing stripII	1	
32	00771407100601150	Plate II Tp4	2	
33	1040301515	Gasket 8-100HV	35	GB/T97.1-2002
34	1040004521	Bolt M8×45-8.8	4	GB/T5783-2000

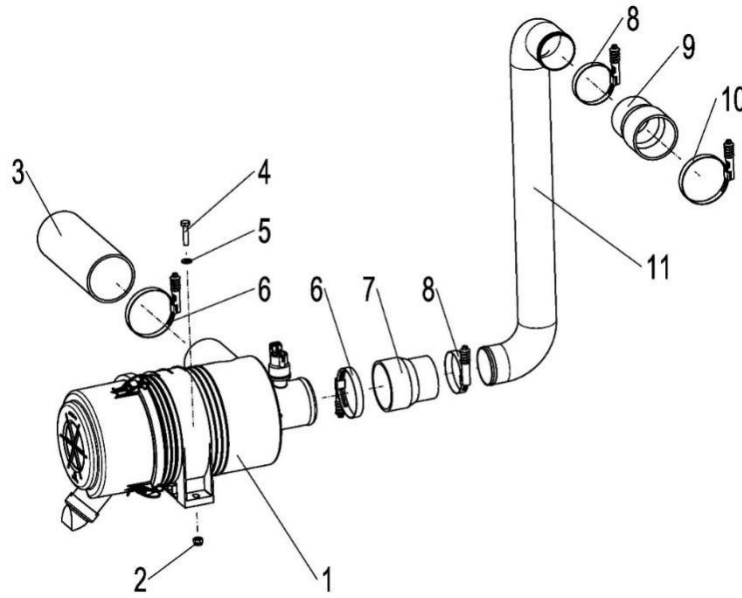
Intake System 0077140712080000 (Cummins Engine)



Intake System 0077140712080000 (Cummins Engine)

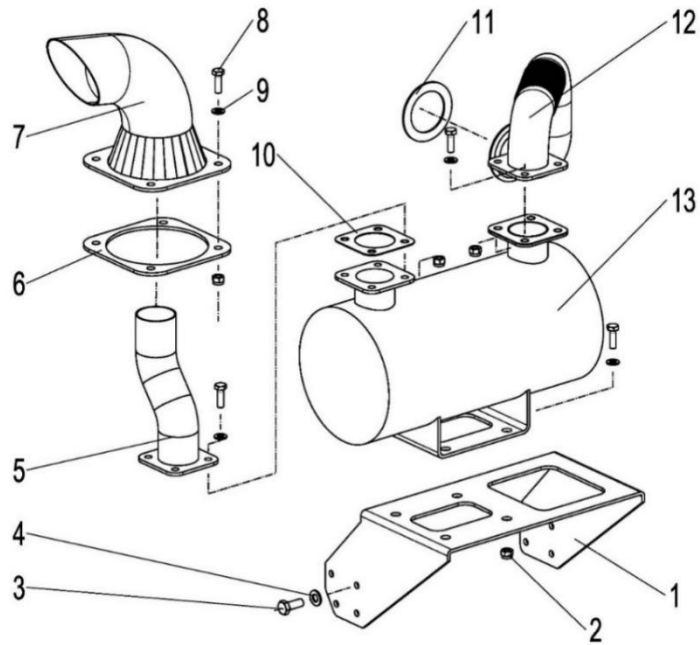
NO.	Material No.	Item and Spec	Qty	Remark
1	1000100391	Air filter assembly G070017	1	
2	00771407120801060	Intake tube III O76×5	1	
3	1990202290	Clamp SX12/W3/70-92	2	
4	00771407120801030	Intake tube II O57×5	1	
5	1990202289	Clamp SX12/W3/57-79	3	
6	1040004519	Bolt M8×25-8.8	4	GB/T5783-2000
7	1040301515	Gasket 8-200HV	6	GB/T97.1-2002
8	00771407120801050	Bending plate II Tp2	1	
9	00771407120801010	Intake tube I O54×5	1	
10	00771407120801020	Intake steel tube Ow51×1.5	1	
11	00771407120801040	Bending plate I Tp4	1	
12	1040004619	Bolt M8×35-8.8	2	GB/T5783-2000
13	1040200503	Nut M8-8	4	GB/T889.1-2000

Intake System 0077140710080000 (Deutz Engine)



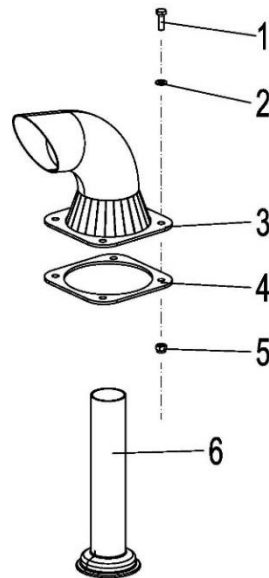
Intake System 00771407100800000 (Deutz Engine)

NO.	Material No.	Item and Spec	Qty	Remark
1	1000100391	Air filter assembly G070017	1	
2	1040201089	Nut M8-A2-70	2	GB/T6170-2000
3	00771407100801010	Intake tube I O76×4	1	
4	1040004619	Bolt M8×35-8.8	2	GB/T5783-2000
5	1040301515	Gasket 8-200HV	2	GB/T97.1-2002
6	1990200546	T clamp (no spring) STB083091 W2 83-91	2	
7	00771407100801020	Intake tube II O63×4	1	
8	1990200579	T clamp (no spring) STB067075 W2 67-75	2	
9	00771407100801030	Intake tube III O63×4	1	
10	1990200511	T clamp (no spring) STB076084 W2 76-84	1	
11	00771407100801040	Intake steel tube Ow63×1.5	1	

Exhaust System 0077140712100000 (Cummins Engine)

Exhaust System 0077140712100000 (Cummins Engine)

NO.	Material No.	Item and Spec	Qty	Remark
1	00771407121001030	Support Tp4	1	
2	1040200503	Nut M8-8	16	GB/T889.1-2000
3	1040002434	Bolt M10×25-8.8	8	GB/T5783-2000
4	1040302489	Gasket 10-200HV	8	GB/T97.1-2002
5	00771407121001040	Exhaust pipe II Tp1.5	1	
6	00771407101001030	Plate Tp4	1	
7	00771407101001020	Tail pipe Ow89×1.5	1	
8	1040004519	Bolt M8×25-8.8	16	GB/T5783-2000
9	1040301515	Gasket 8-200HV	16	GB/T97.1-2002
10	00771407121001050	Seal pad I T2	2	
11	00771407121001060	Seal pad II T2	1	
12	00771407121001020	Exhaust pipe I Tp1.5	1	
13	00771407121001010	Muffler	1	

Exhaust System 00771407101000000 (Deutz Engine)

Exhaust System 00771407101000000 (Deutz Engine)

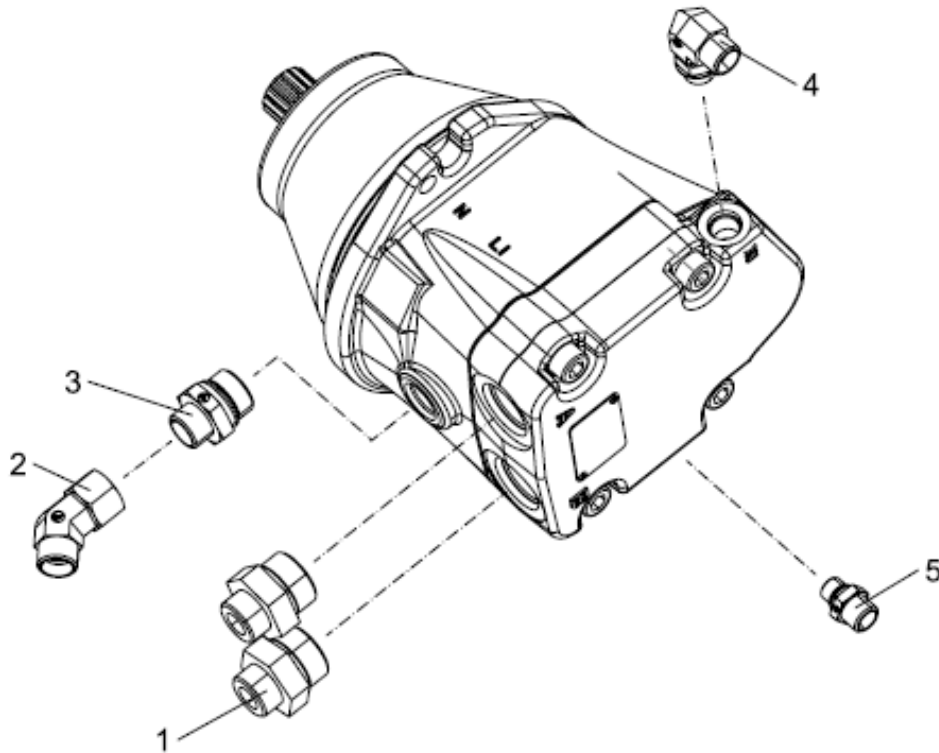
NO.	Material No.	Item and Spec	Qty	Remark
1	1040004519	Bolt M8×25-8.8	4	GB/T5783-2000
2	1040301515	Gasket 8-200HV	4	GB/T97.1-2002
3	00771407101001020	Tail pipe	1	
4	00771407101001030	Plate Tp4	1	
5	1040200503	Nut M8-8	4	GB/T889.1-2000
6	00771407101001010	Exhaust pipeTp2	1	

ZOOMLION

Parts Manual

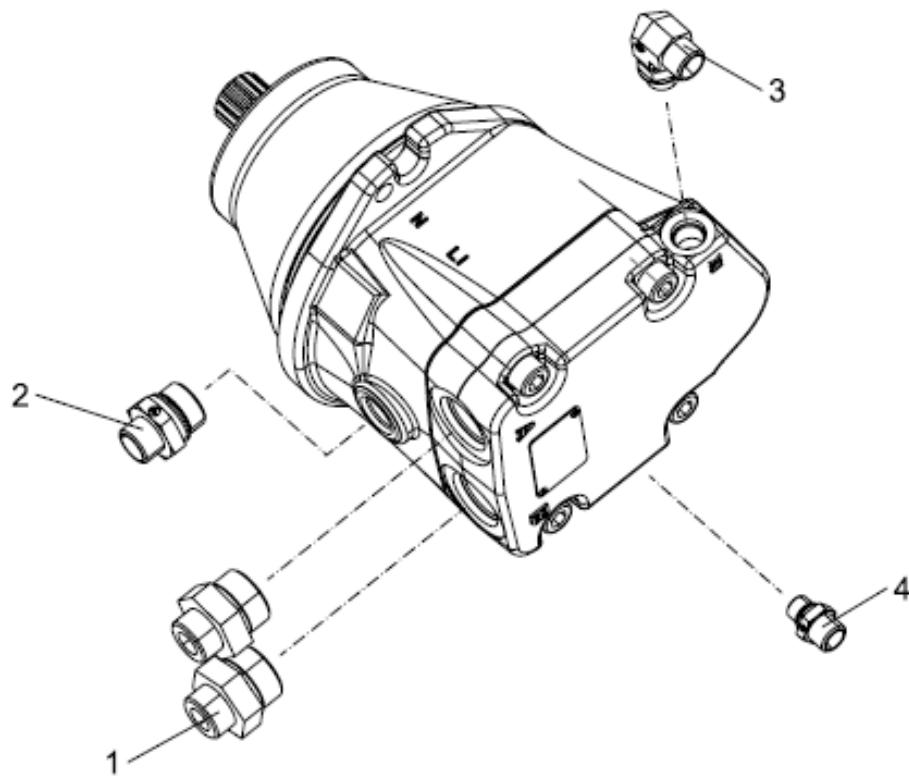
Section 6 Hydraulic System



Hydraulic Component (Front motor) 00771405200600000

Hydraulic Component (Front motor) 00771405200600000

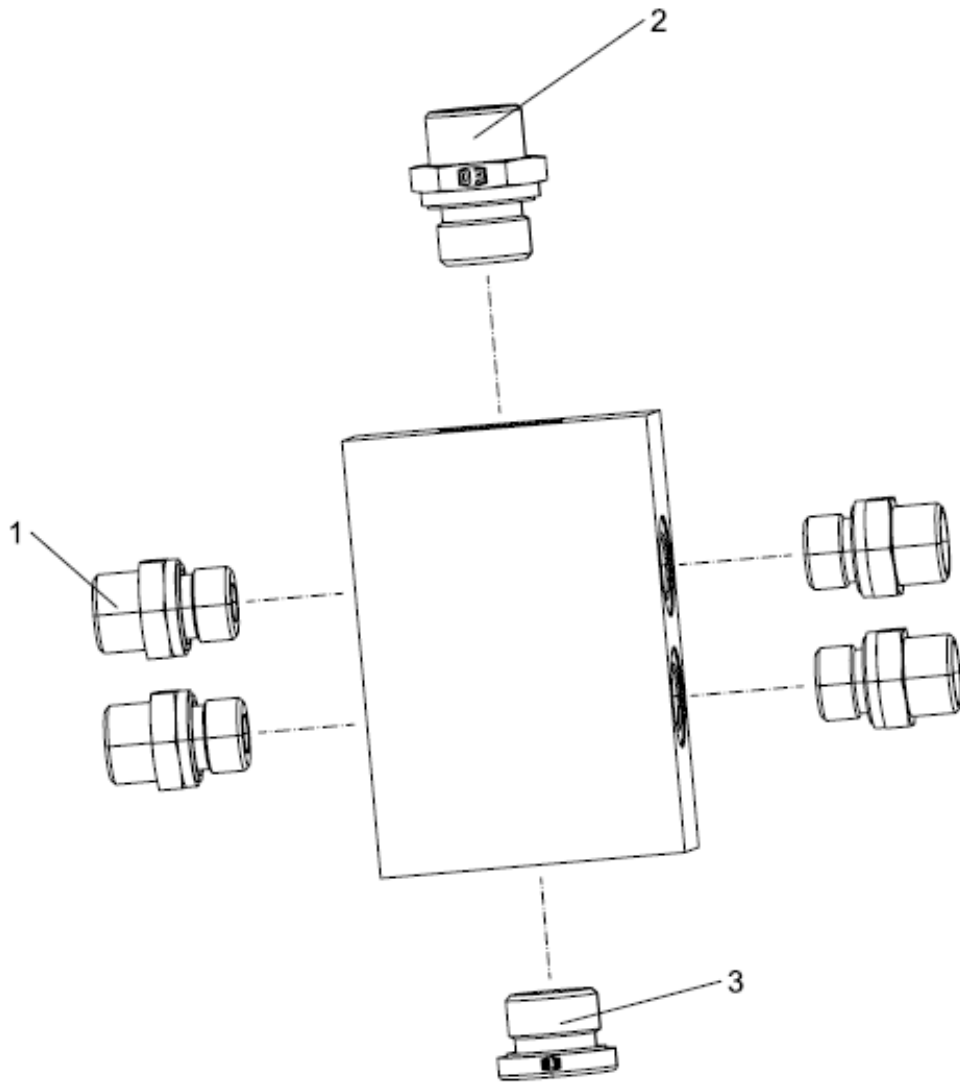
NO.	Material No.	Item and Spec	Qty	Remark
1	1149901795	Joint	2	GE15L11/16UNOMDCF
2	1140113796	Assembly joint	1	EV12LOMDCF
3	1140113353	Joint	1	GE12L3/4UNFOMDCF
4	1140108034	Adjustable directional joint	1	WEE08L9/16UNFOMDCF
5	1140107814	Joint	1	GE08L7/16UNFOMDCF

Hydraulic Component (Rear motor) 0077140520060000

Hydraulic Component (Rear motor) 00771405200600000

NO.	Material No.	Item and Spec	Qty	Remark
1	1149901795	Joint	2	GE15L11/16UNOMDCF
2	1140113353	Joint	1	GE12L3/4UNFOMDCF
3	1140108034	Adjustable directional joint	1	WEE08L9/16UNFOMDCF
4	1140107814	Joint	1	GE08L7/16UNFOMDCF

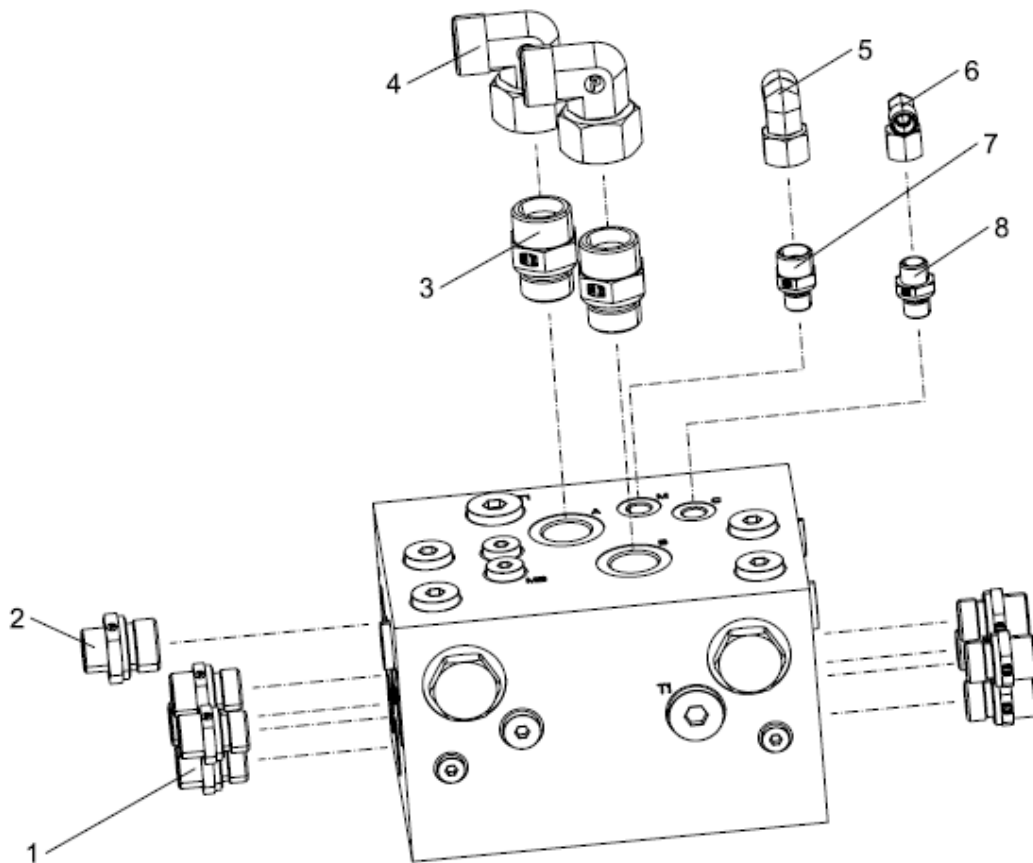
Hydraulic Component (Return oil block) 00771405200600000



Hydraulic Component (Return oil block) 00771405200600000

NO.	Material No.	Item and Spec	Qty	Remark
1	1140101462	Joint	4	GE12LREDOMDCF
2	1140101464	Joint	1	GE15LREDOMDCF
3	1140107416	Hex socket plug	1	VSTI1/2EDCF

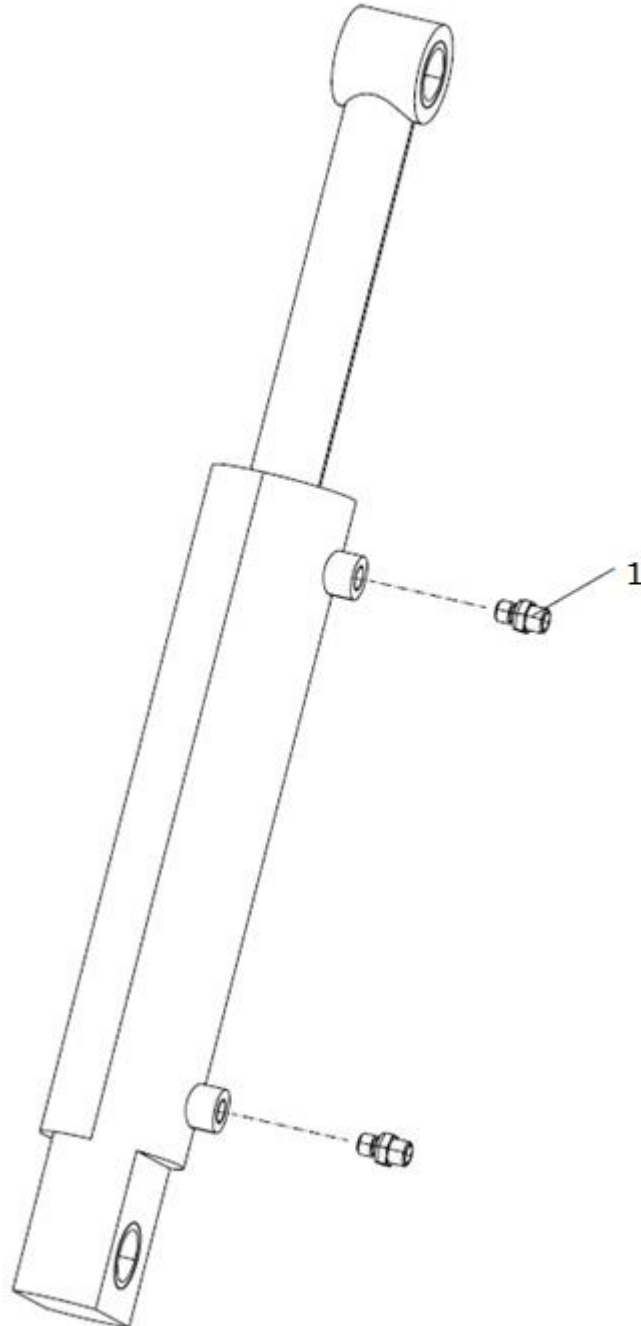
Hydraulic Component (Travel flow divider valve) 0077140520060000



Hydraulic Component (Travel flow divider valve) 00771405200600000

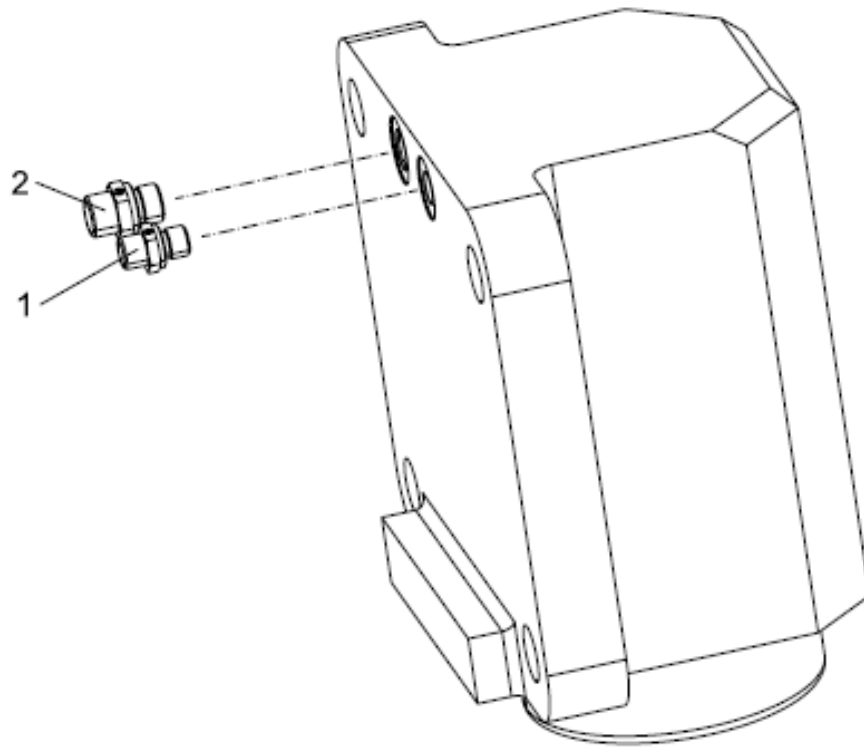
NO.	Material No.	Item and Spec	Qty	Remark
1	1140101464	Joint	8	GE15LREDOMDCF
2	1140101820	Joint	1	GE15LR3/4EDOMDCF
3	1140101523	Joint	2	GE20SREDOMDCF
4	1140101534	Assembly joint	2	EW20SOMDCF
5	1140101477	Assembly joint	1	EW12LOMDCF
6	1140101475	Assembly joint	1	EW08LOMDCF
7	1140101521	Joint	1	GE12LR1/4EDOMDCF
8	1140111237	Joint	1	GE08LREDOMDCF

Hydraulic Component (Steering cylinder) 0077140520060000



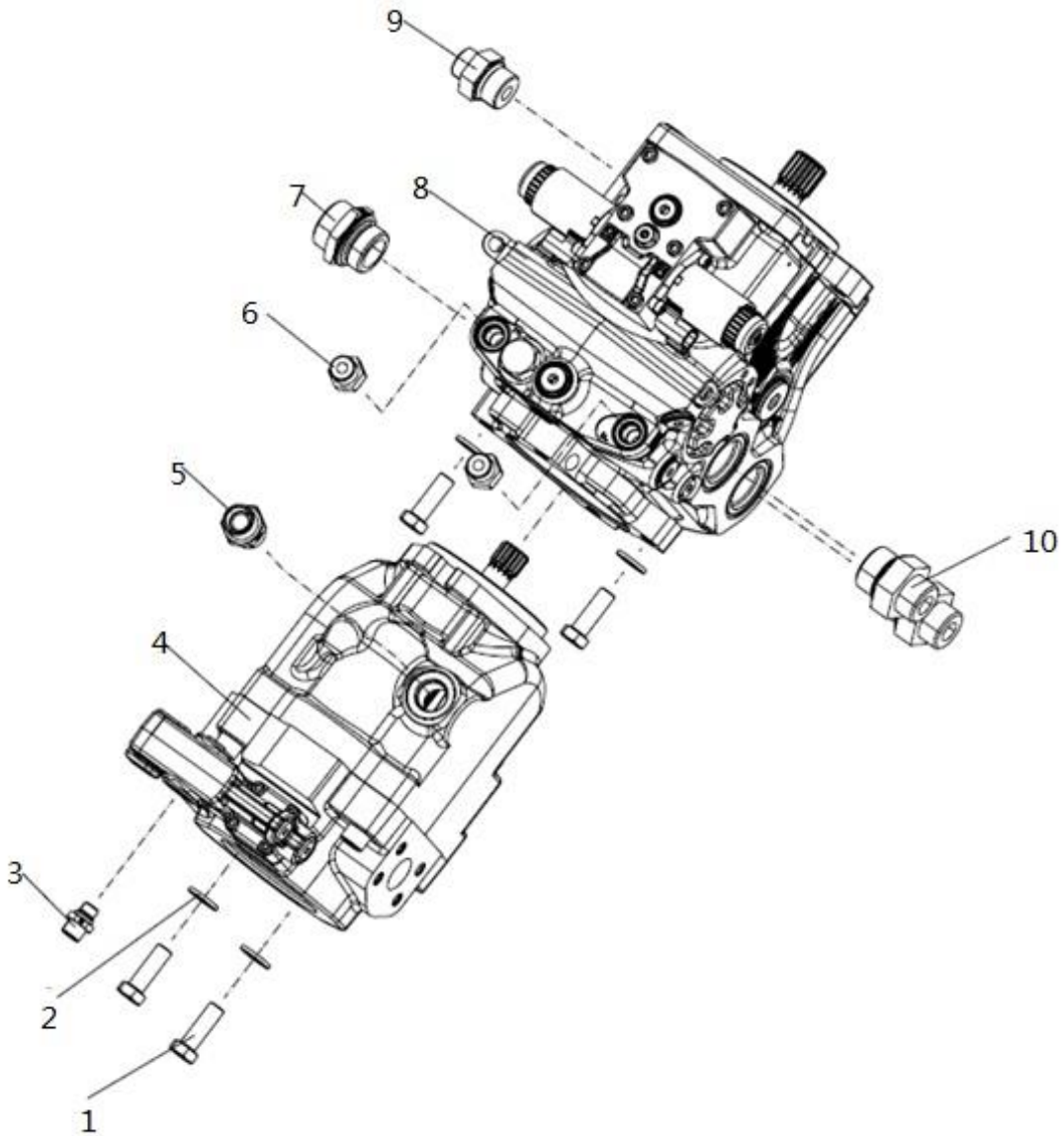
Hydraulic Component (Steering cylinder) 00771405200600000

NO.	Material No.	Item and Spec	Qty	Remark
1	1140107600	Joint	2	GE08LM14×1.5EDOMDCF

Hydraulic Component (Float cylinder) 00771405200600000

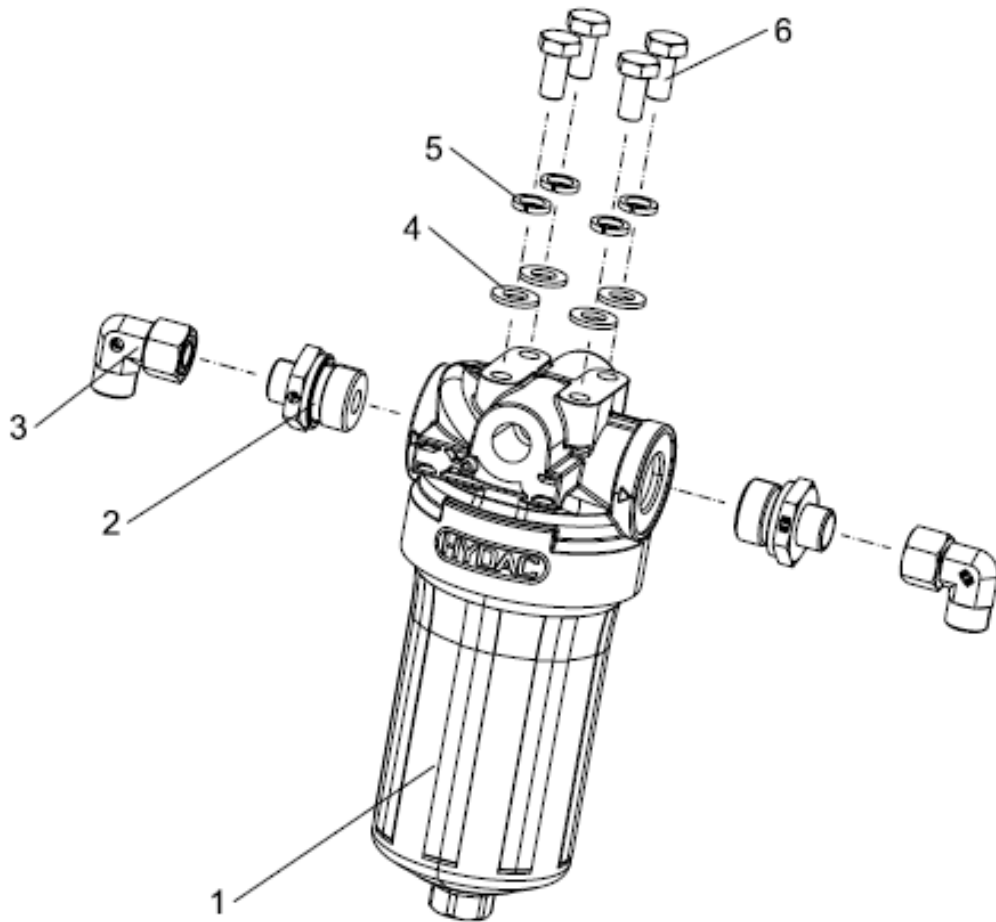
Hydraulic Component (Float cylinder) 00771405200600000

NO.	Material No.	Item and Spec	Qty	Remark
1	1140111237	Joint	1	GE08LREDOMDCF
2	1140101462	Joint	1	GE12LREDOMDCF

Turntable Hydraulic Component (Pump)**00771405200800000**

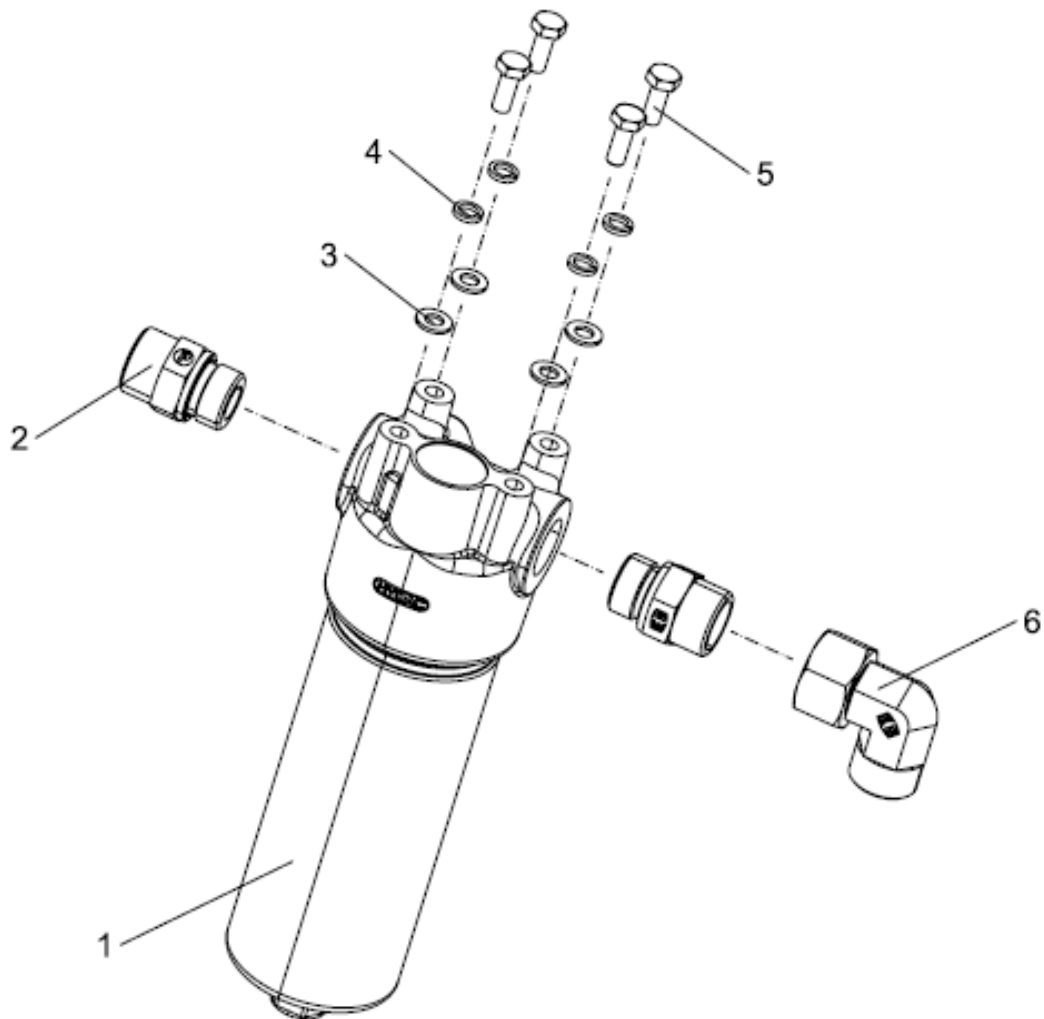
Turntable Hydraulic Component (Pump)**00771405200800000**

NO.	Material No.	Item and Spec	Qty	Remark
1	1040004029	Bolt M12×35-10.9	4	GB/T5783-2000
2	1040302490	Gasket 12-200HV	4	GB/T97.1-2002
3	1140107814	Joint	1	GE08L7/16UNFOMDCF
4	1010001791	Main pump	1	
5	1140105246	Joint	1	GE15L7/8UNFOMDCF
6	1140113942	Joint	2	GEO12LM14×1.5OMDCF
7	1149901792	Joint	1	GEO28LMOMDCF
8	1010001790	Travel pump	1	
9	1149901793	Joint	1	GEO15LM27×2OMDCF
10	1149901794	Joint	2	GEO20SM33×2OMDCF

Turntable Hydraulic Component (Oil supply filter)**00771405200800000**

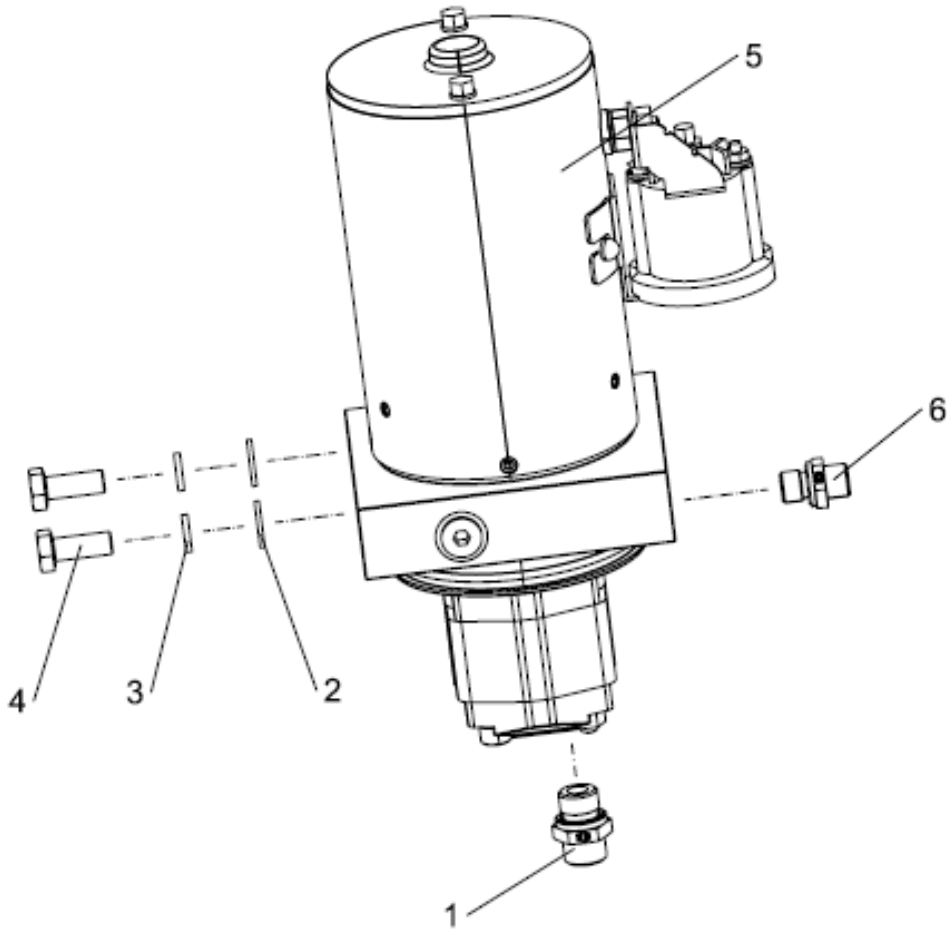
Turntable Hydraulic Component (Oil supply filter)**00771405200800000**

NO.	Material No.	Item and Spec	Qty	Remark
1	1010601136	Oil supply filter	1	
2	1140207362	Joint	2	GE12LR3/4EDOMDCF
3	1140101477	Assembly joint	2	EW12LOMDCF
4	1040302489	Gasket 10-200HV	4	GB/T97.1-2002
5	1040301502	Gasket 10	4	GB/T93-1987
6	1040002433	Bolt M10×20-8.8	4	GB/T5783-2000

Turntable Hydraulic Component (High pressure filter)**00771405200800000**

Turntable Hydraulic Component (High pressure filter)**00771405200800000**

NO.	Material No.	Item and Spec	Qty	Remark
1	1010601137	High pressure filter	1	
2	1140101523	Joint	2	GE20SREDOMDCF
3	1040301515	Gasket 8-200HV	4	GB/T97.1-2002
4	1040301510	Gasket 8	4	GB/T93-1987
5	1040004518	Bolt M8×20-8.8	4	GB/T5783-2000
6	1140101534	Assembly joint	1	EW20SOMDCF

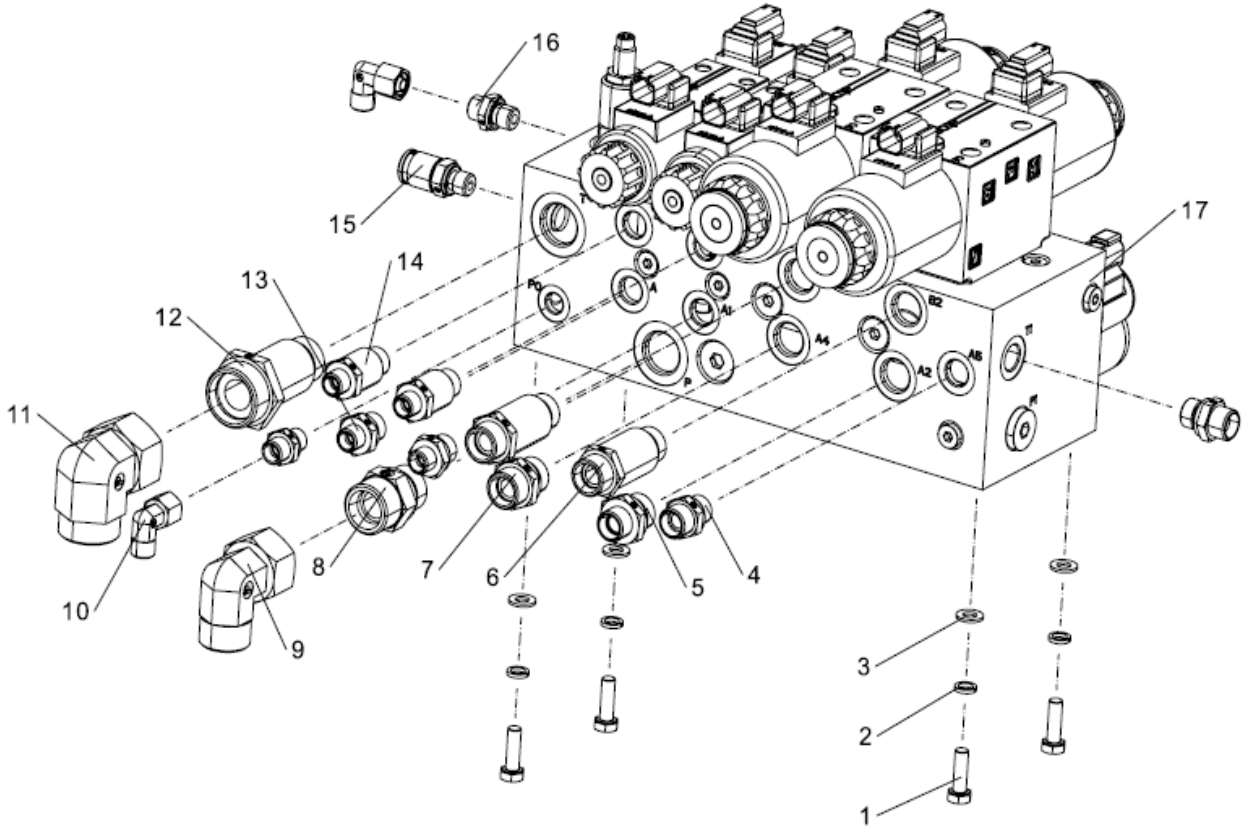
Turntable Hydraulic Component (Auxiliary pump)**00771405200800000**

Turntable Hydraulic Component (Auxiliary pump)**00771405200800000**

NO.	Material No.	Item and Spec	Qty	Remark
1	1140101462	Joint	1	GE12LREDOMDCF
2	1040302489	Gasket 10-200HV	2	GB/T97.1-2002
3	1040301502	Gasket 10	2	GB/T93-1987
4	1040002434	Bolt M10×25-8.8	2	GB/T5783-2000
5	1010001903	Auxiliary pump	1	
6	1140111237	Joint	1	GE08LREDOMDCF

Turntable Hydraulic Component (Main valve)

00771405200800000



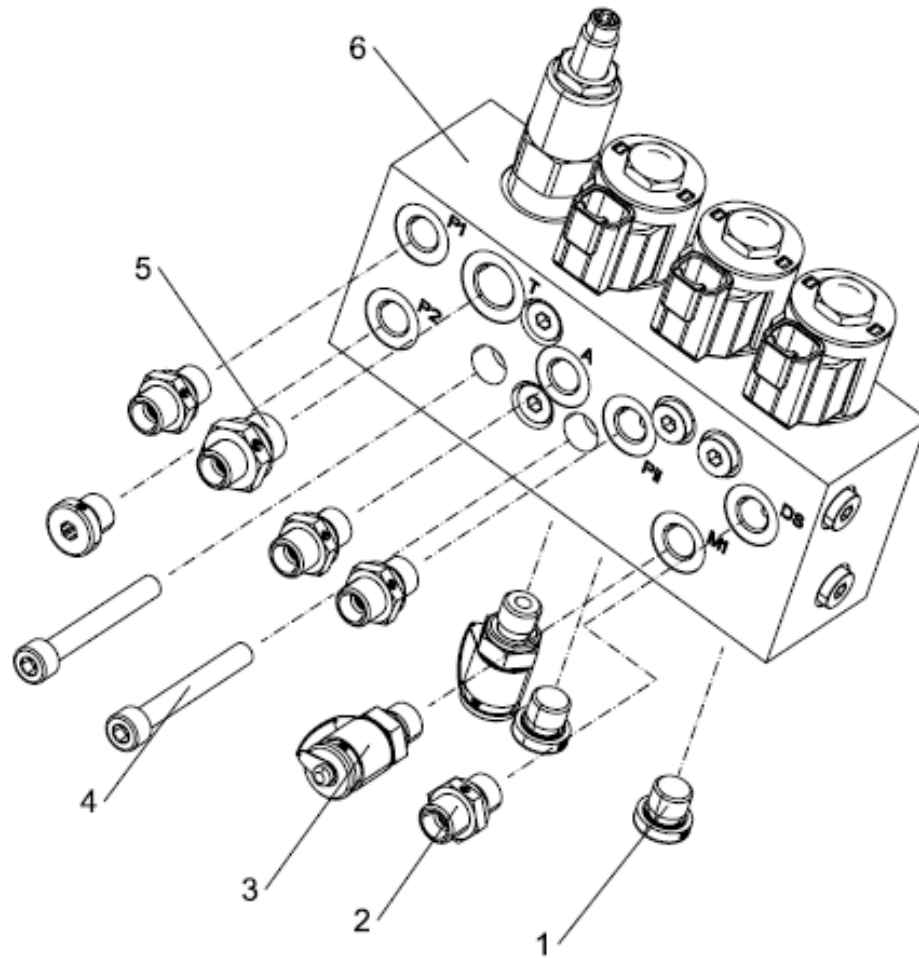
Turntable Hydraulic Component (Main valve)

00771405200800000

NO.	Material No.	Item and Spec	Qty	Remark
1	1040004519	Bolt M8×25-8.8	4	GB/T5783-2000
2	1040301510	Gasket 8	4	GB/T93-1987
3	1040301515	Gasket 8-200HV	4	GB/T97.1-2002
4	1140101462	Joint	2	GE12LREDOMDCF
5	1140101463	Joint	1	GE12LR1/2EDOMDCF
6	1140114361	Long joint	2	GE15LREDOMDCF-L70
7	1140101464	Joint	1	GE15LREDOMDCF
8	1140101523	Joint	1	GE20SREDOMDCF
9	1140101534	Assembly joint	1	EW20SOMDCF
10	1140101475	Assembly joint	2	EW08LOMDCF
11	1140101737	Assembly joint	1	EW28LOMDCF
12	1140114416	Joint	1	GE28LR3/4EDOMDCF-L80
13	1140108469	Joint	2	GE08LR3/8EDOMDCF
14	1149901686	Long joint	2	GE08LR3/8EDOMDCF-L50.5
15	1140114187	Pressure testing joint	1	SD-M16×2-F-G1/4"
16	1140111237	Joint	2	GE08LREDOMDCF
17	1010306162	Main valve	1	

Turntable Hydraulic Component (Travel control valve)

0077140520080000

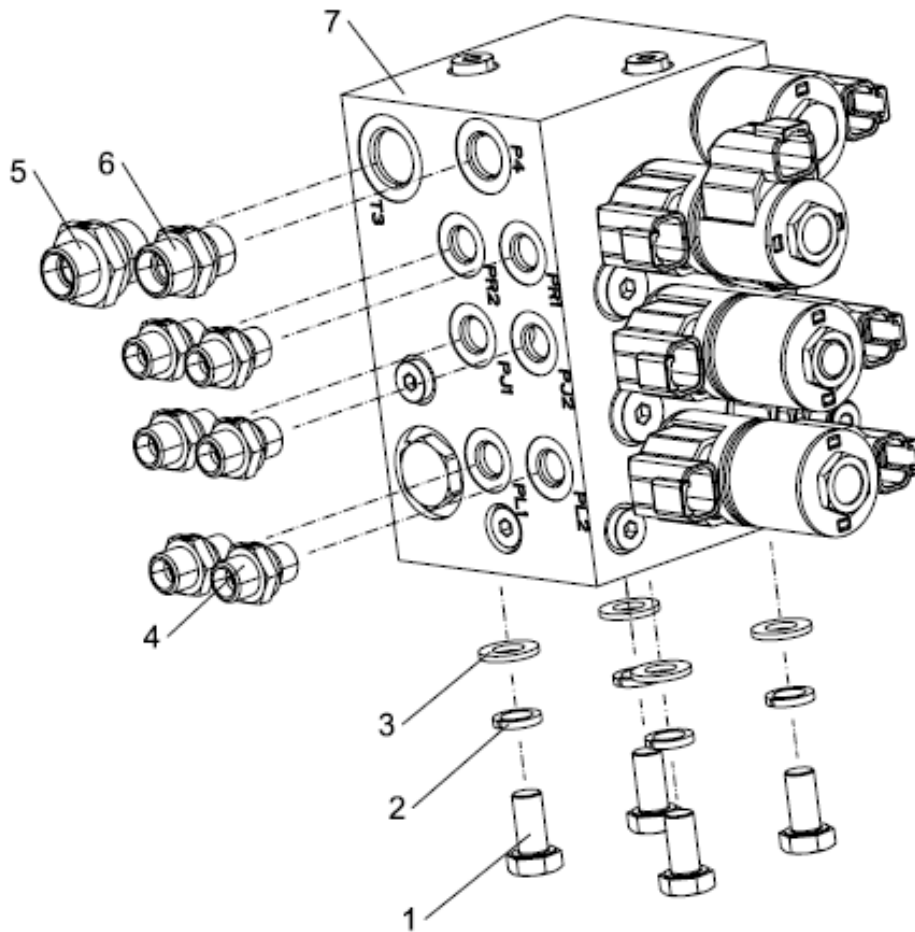


Turntable Hydraulic Component (Travel control valve)**00771405200800000**

NO.	Material No.	Item and Spec	Qty	Remark
1	1140103265	Hex socket plug	3	VST11/4EDCF
2	1140111237	Joint	4	GE08LREDOMDCF
3	1140114187	Pressure testing joint	2	SD-M16×2-F-G1/4"
4	1040102739	Screw M8×60-8.8	2	GB/T70.1-2000
5	1140108469	Joint	1	GE08LR3/8EDOMDCF
6	1019807527	Float valve block	1	

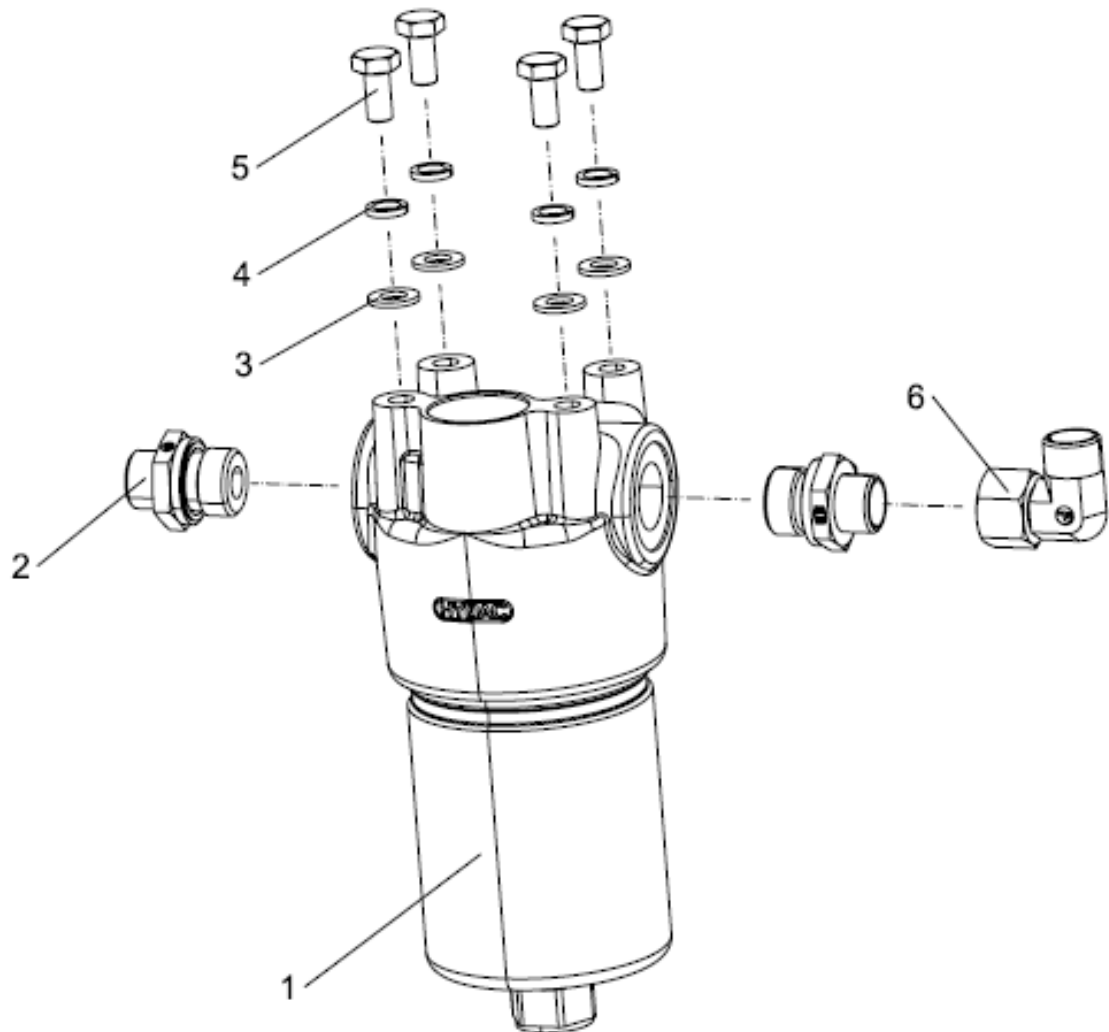
Platform Hydraulic Component Installation (Jib valve)

00771405201000000



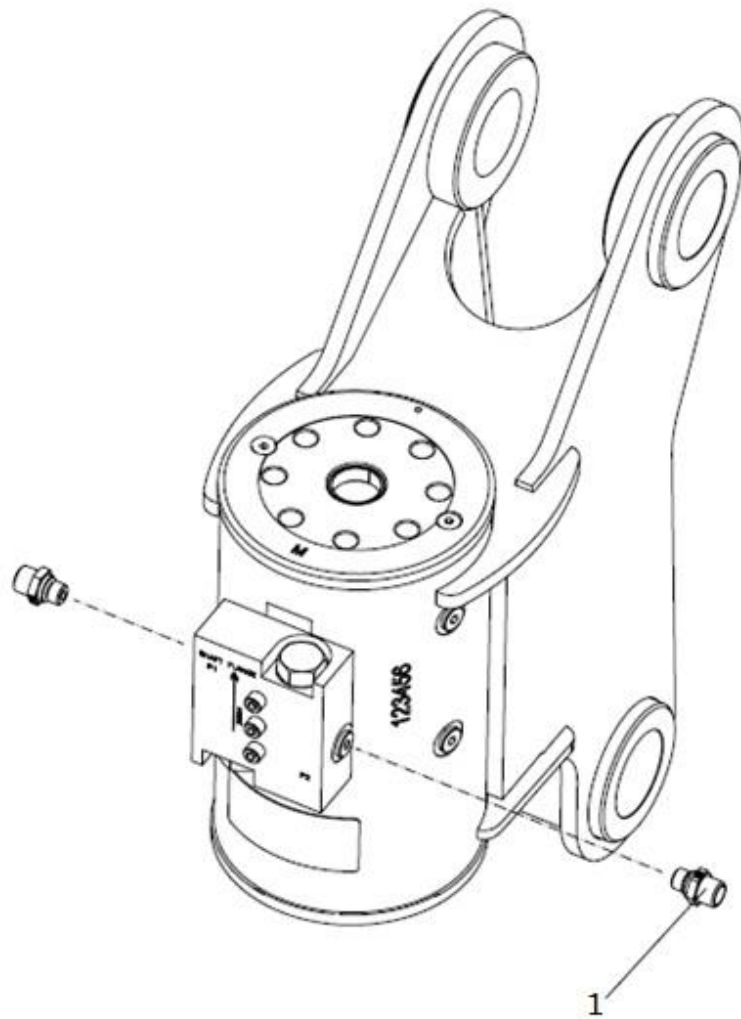
Platform Hydraulic Component Installation (Jib valve)**00771405201000000**

NO.	Material No.	Item and Spec	Qty	Remark
1	1040002433	Bolt M10×20-8.8	4	GB/T5783-2000
2	1040301502	Gasket 10	4	GB/T93-1987
3	1040302489	Gasket 10-200HV	4	GB/T97.1-2002
4	1140111237	Joint	6	GE08LREDOMDCF
5	1140101463	Joint	1	GE12LR1/2EDOMDCF
6	1140101462	Joint	1	GE12LREDOMDCF
7	1010306167	ST4661-AB0A	1	

Platform Hydraulic Component (High pressure filter)**00771405201000000**

Platform Hydraulic Component (High pressure filter)**00771405201000000**

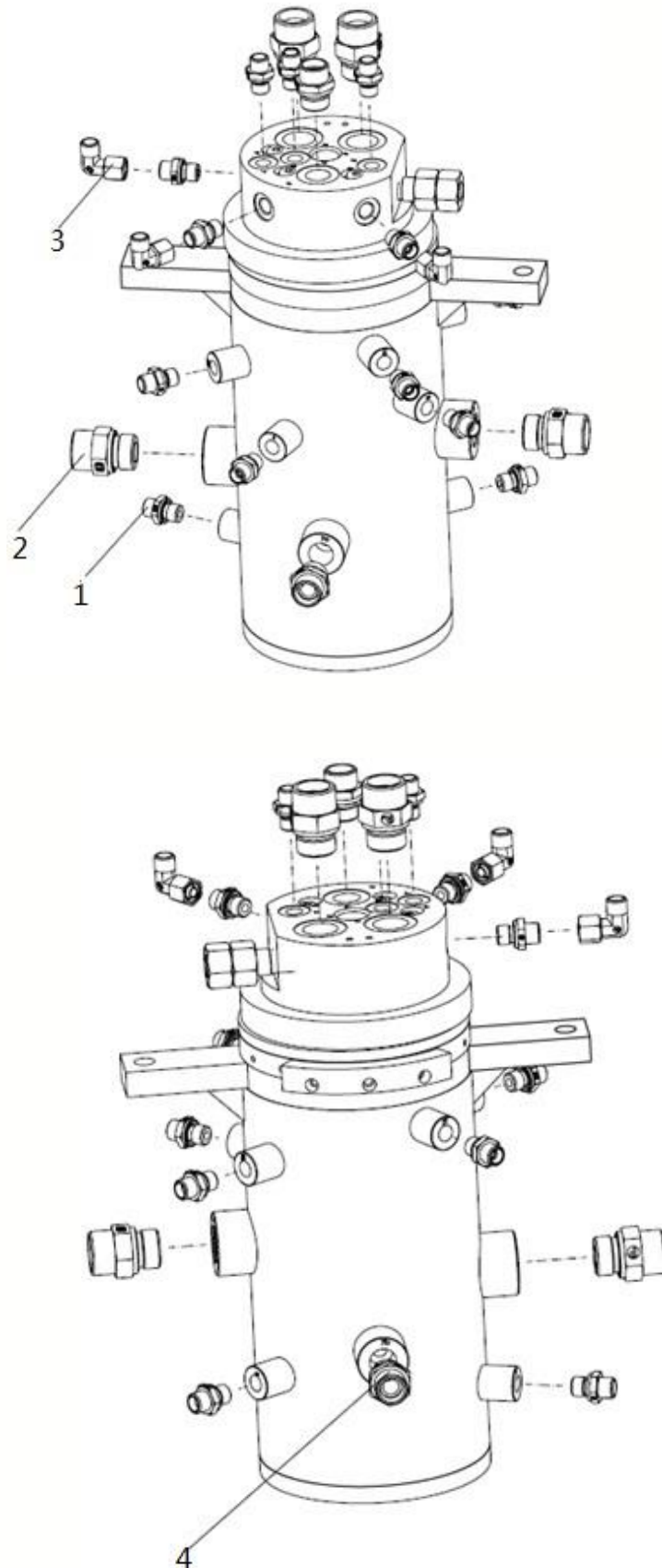
NO.	Material No.	Item and Spec	Qty	Remark
1	1010601138	High pressure filter	1	
2	1140101463	Joint	2	GE12LR1/2EDOMDCF
3	1040301515	Gasket 8-200HV	4	GB/T97.1-2002
4	1040301510	Gasket 8	4	GB/T93-1987
5	1040004517	Bolt M8×16-8.8	4	GB/T5783-2000
6	1140101477	Assembly joint	1	EW12LOMDCF

Platform Hydraulic Component (Rotary actuator)**00771405201000000**

Platform Hydraulic Component (Rotary actuator)**00771405201000000**

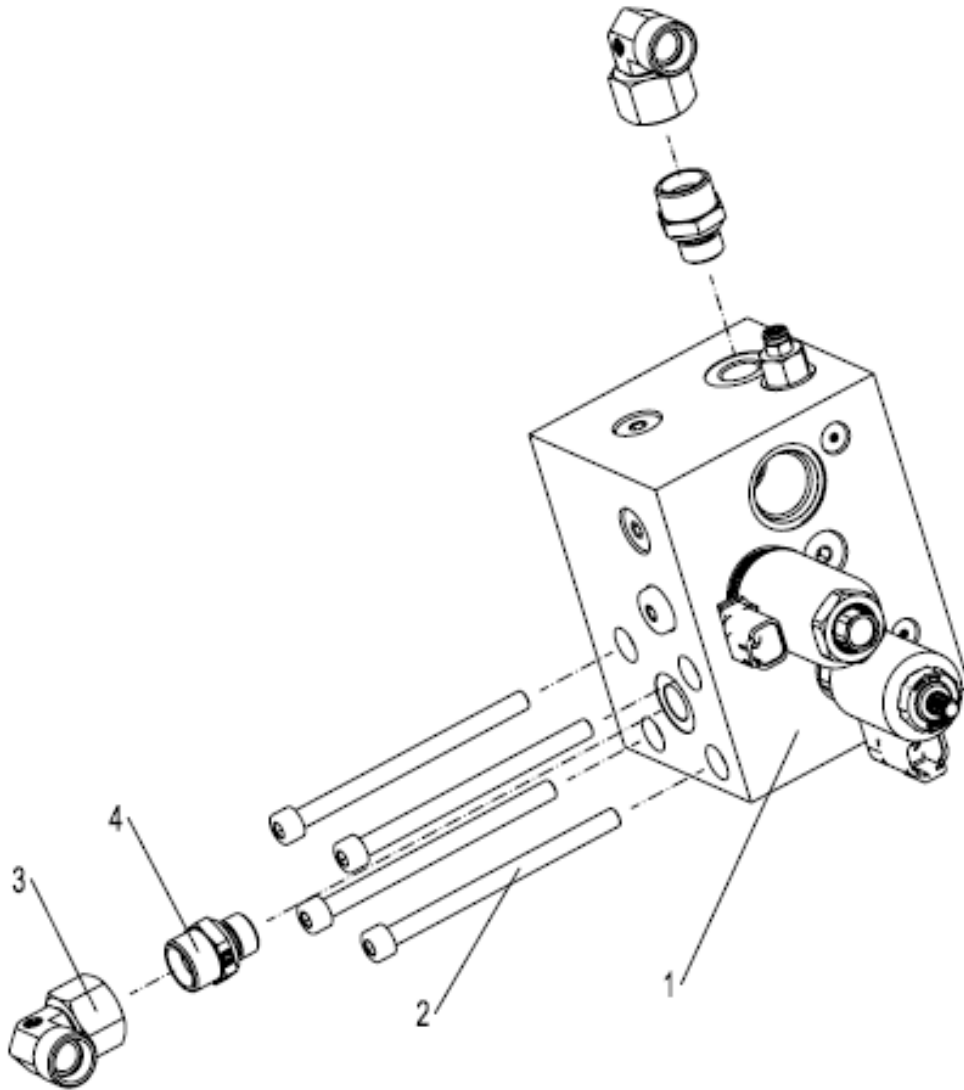
NO.	Material No.	Item and Spec	Qty	Remark
1	1140107814	Joint	2	GE08L7/16UNFOMDCF

Centre Revolving Joint 00771405201200000



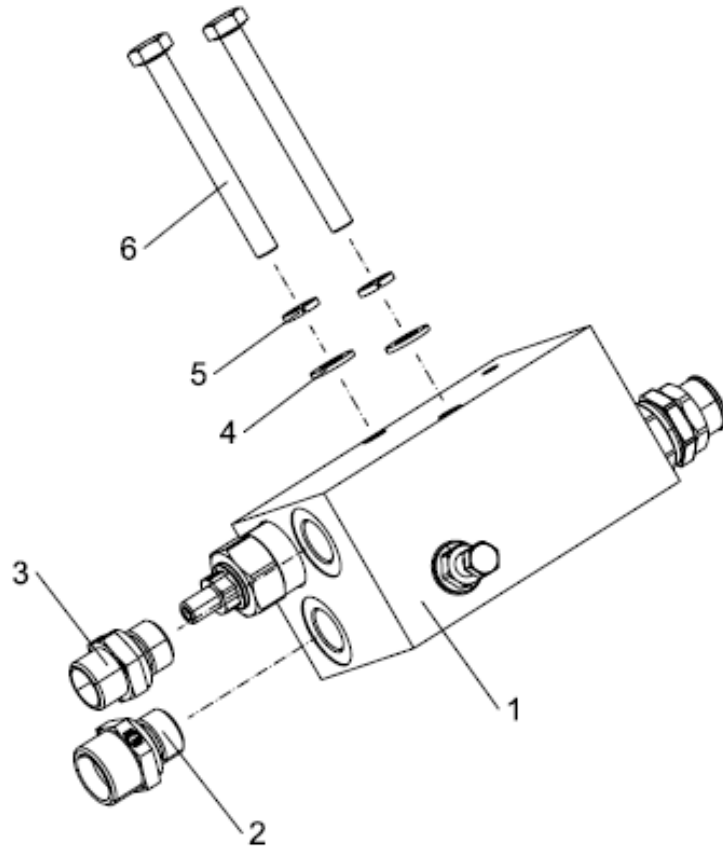
Centre Revolving Joint 00771405201200000

NO.	Material No.	Item and Spec	Qty	Remark
1	1140111237	Joint	14	GE08LREDOMDCF
2	1140101523	Joint	4	GE20SREDOMDCF
3	1140101475	Assembly joint	3	EW08LOMDCF
4	1140101464	Joint	3	GE15LREDOMDCF

Balance valve (Lifting balance valve) 00771405201400000

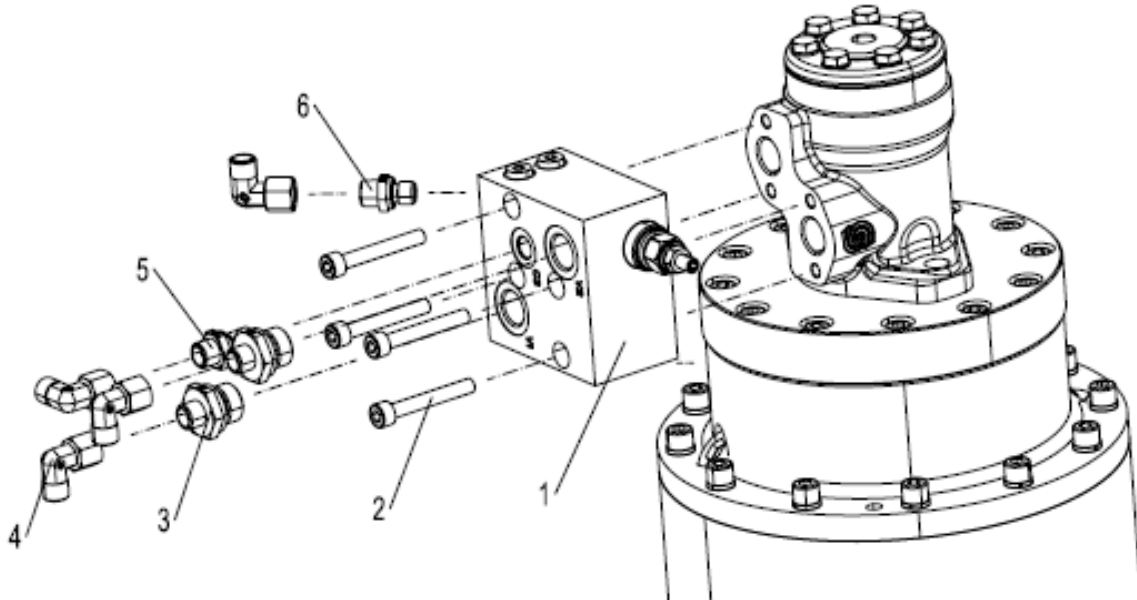
Balance valve (Lifting balance valve) 00771405201400000

NO.	Material No.	Item and Spec	Qty	Remark
1	1010306161	Lifting balance valve	1	
2	1040103119	Screw M8×110-8.8	4	GB/T70.1-2000
3	1140101478	Assembly joint	2	EW15LOMDCF
4	1140101465	Joint	2	GE15LR3/8EDOMDCF

Balance valve (Telescopic balance valve) 0077140520140000

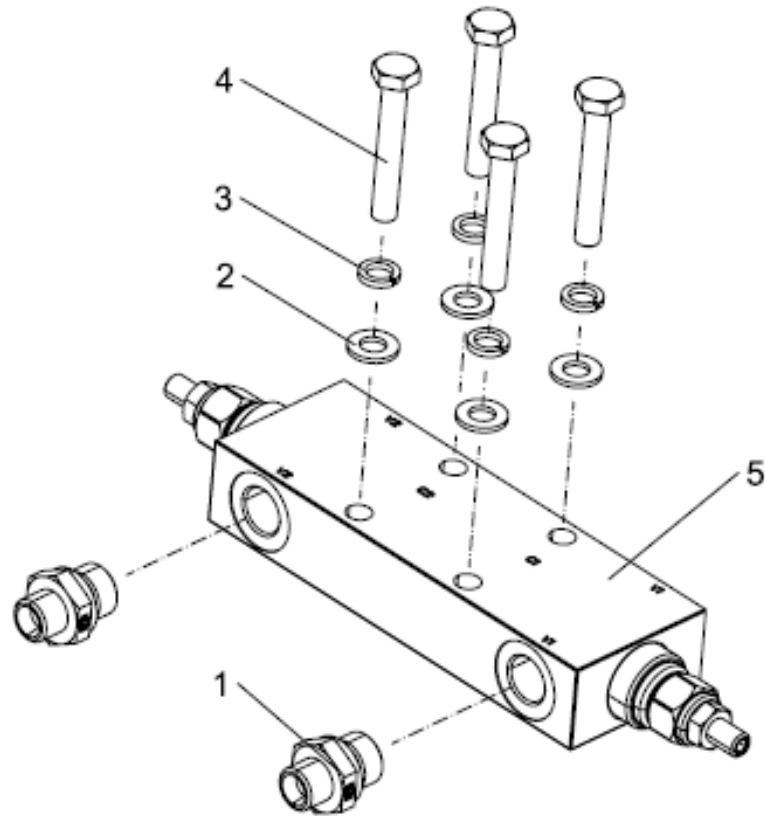
Balance valve (Telescopic balance valve) 00771405201400000

NO.	Material No.	Item and Spec	Qty	Remark
1	1010306160	Telescopic balance valve	1	
2	1140101465	Joint	1	GE15LR3/8EDOMDCF
3	1140101462	Joint	1	GE12LREDDOMDCF
4	1040301515	Gasket 8-200HV	2	GB/T97.1-2002
5	1040301510	Gasket 8	2	GB/T93-1987
6	1040004603	Bolt M8×75-8.8	2	GB/T5782-2000

Balance valve (Slewing balance valve) 00771405201400000

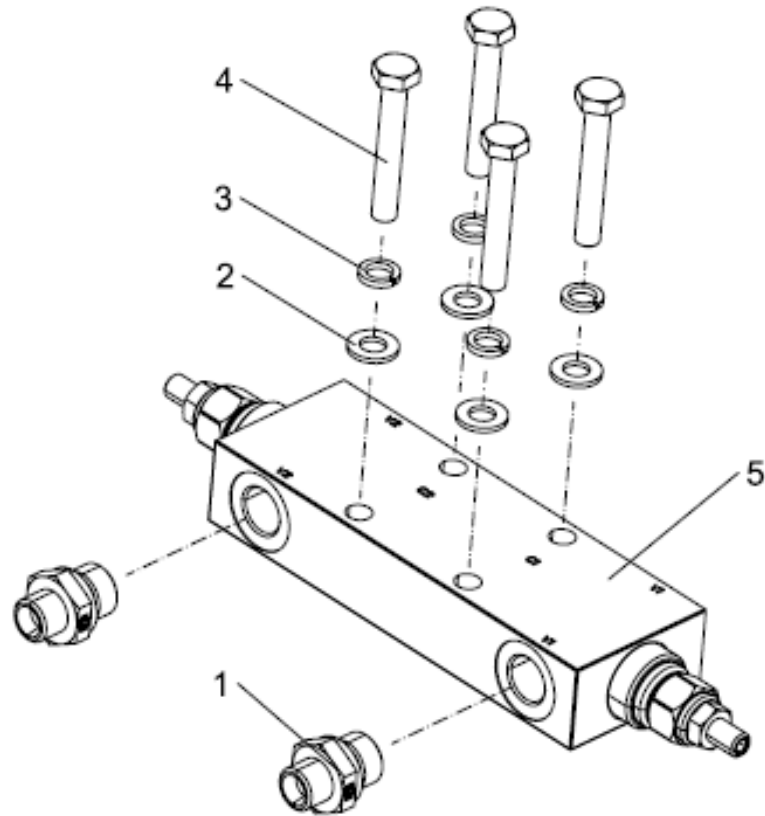
Balance valve (Slewing balance valve) 00771405201400000

NO.	Material No.	Item and Spec	Qty	Remark
1	1010305715	OMP-OMR Motor balance valve (pair)	1	
2	1040102738	Screw M8×55-8.8	4	GB/T70.1-2000
3	1060300279	Joint	2	GE08LR1/2EDOMDCF
4	1140101475	Assembly joint	4	EW08LOMDCF
5	1140111237	Joint	1	GE08LREDOMDCF
6	1140101813	Joint	1	GE08LMEDOMDCF

Balance valve (Jib balance valve) 00771405201400000

Balance valve (Jib balance valve) 00771405201400000

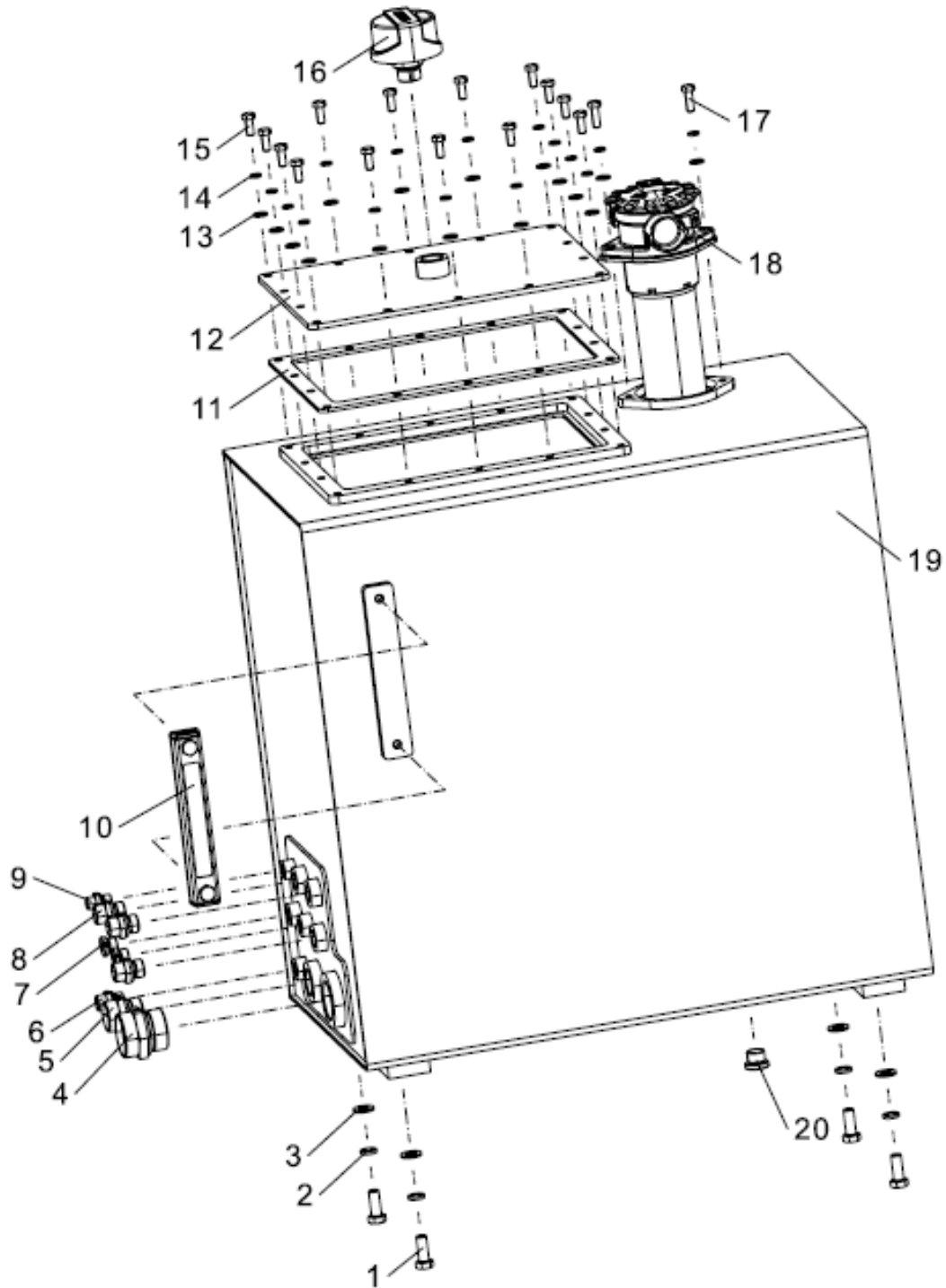
NO.	Material No.	Item and Spec	Qty	Remark
1	1140108469	Joint	2	GE08LR3/8EDOMDCF
2	1040301515	Gasket 8-200HV	4	GB/T97.1-2002
3	1040301510	Gasket 8	4	GB/T93-1987
4	1040004522	Bolt M8×50-8.8	4	GB/T5783-2000
5	1010305985	Balance valve	1	

Balance valve (Leveling balance valve) 00771405201400000

Balance valve (Leveling balance valve) 00771405201400000

NO.	Material No.	Item and Spec	Qty	Remark
1	1140108469	Joint	2	GE08LR3/8EDOMDCF
2	1040301515	Gasket 8-200HV	4	GB/T97.1-2002
3	1040301510	Gasket 8	4	GB/T93-1987
4	1040004522	Bolt M8×50-8.8	4	GB/T5783-2000
5	1010305985	Balance valve	1	

Hydraulic Oil Tank 00771405201600000



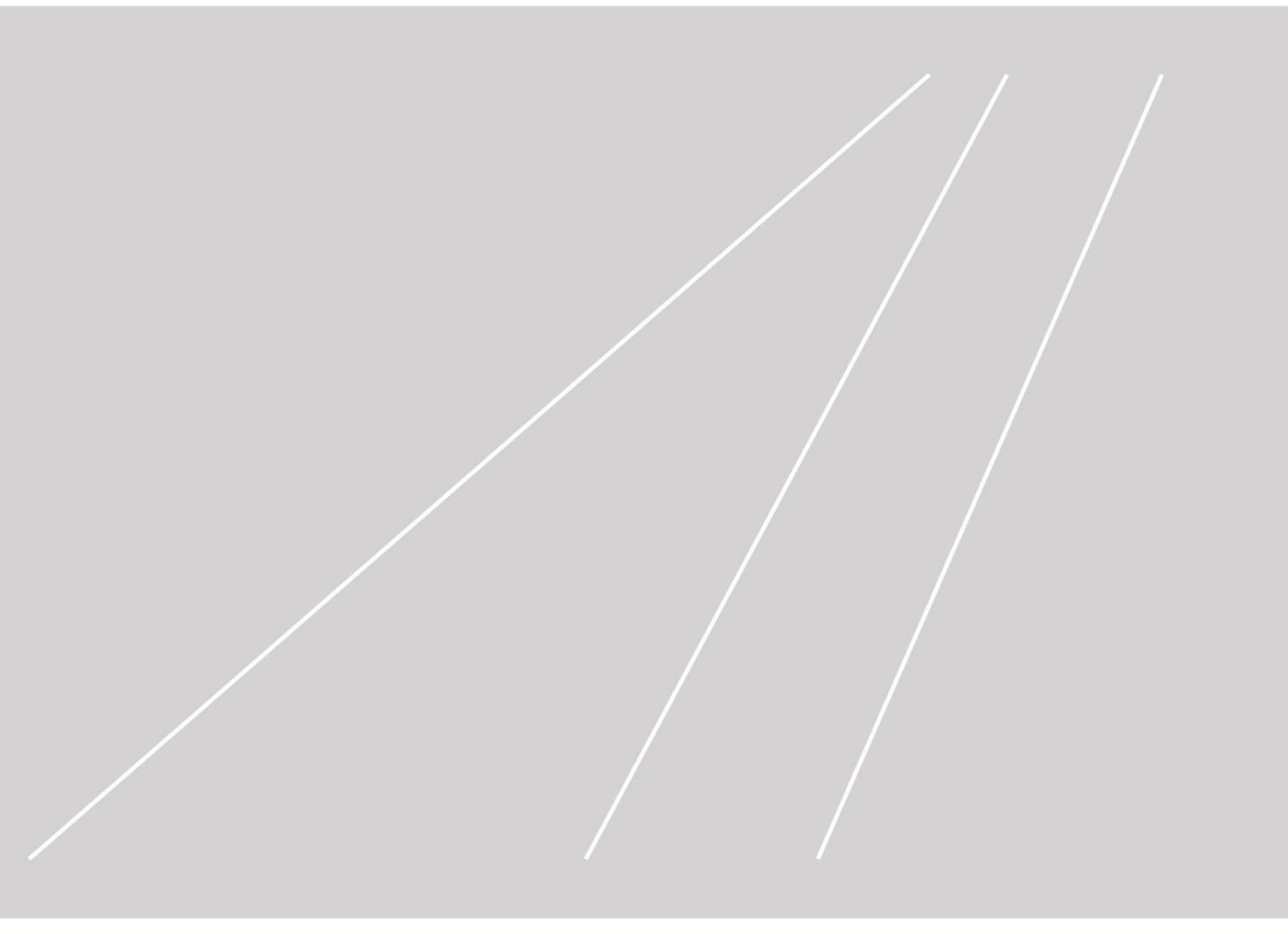
Hydraulic Oil Tank 00771405201600000

NO.	Material No.	Item and Spec	Qty	Remark
1	1040004511	Bolt M12×30-8.8	4	GB/T5783-2000
2	1040301503	Gasket 12	4	GB/T93-1987
3	1040302490	Gasket 12-200HV	4	GB/T97.1-2002
4	1149901683	Joint	1	GE42LREDOMDCF
5	1140103362	Joint	1	GE28LREDOMDCF
6	1140101462	Joint	1	GE12LREDOMDCF
7	1140101629	Hex socket plug	2	VSTI3/8EDCF
8	1140101464	Joint	3	GE15LREDOMDCF
9	1140111237	Joint	1	GE08LREDOMDCF
10	1019901354	Liquidometer	1	
11	00771405201601010	Rubber pad	1	
12	00771405201620000	Cover plate assembly	1	
13	1040301515	Gasket 8-200HV	16	GB/T97.1-2002
14	1040301510	Gasket 8	16	GB/T93-1987
15	1040004518	Bolt M8×20-8.8	14	GB/T5783-2000
16	1010500340	Air filter	1	
17	1040004519	Bolt M8×25-8.8	2	GB/T5783-2000
18	1010601139	Return oil filter	1	
19	00771405201610000	Tank body	1	
20	1140107416	Hex socket plug	1	VSTI1/2EDCF

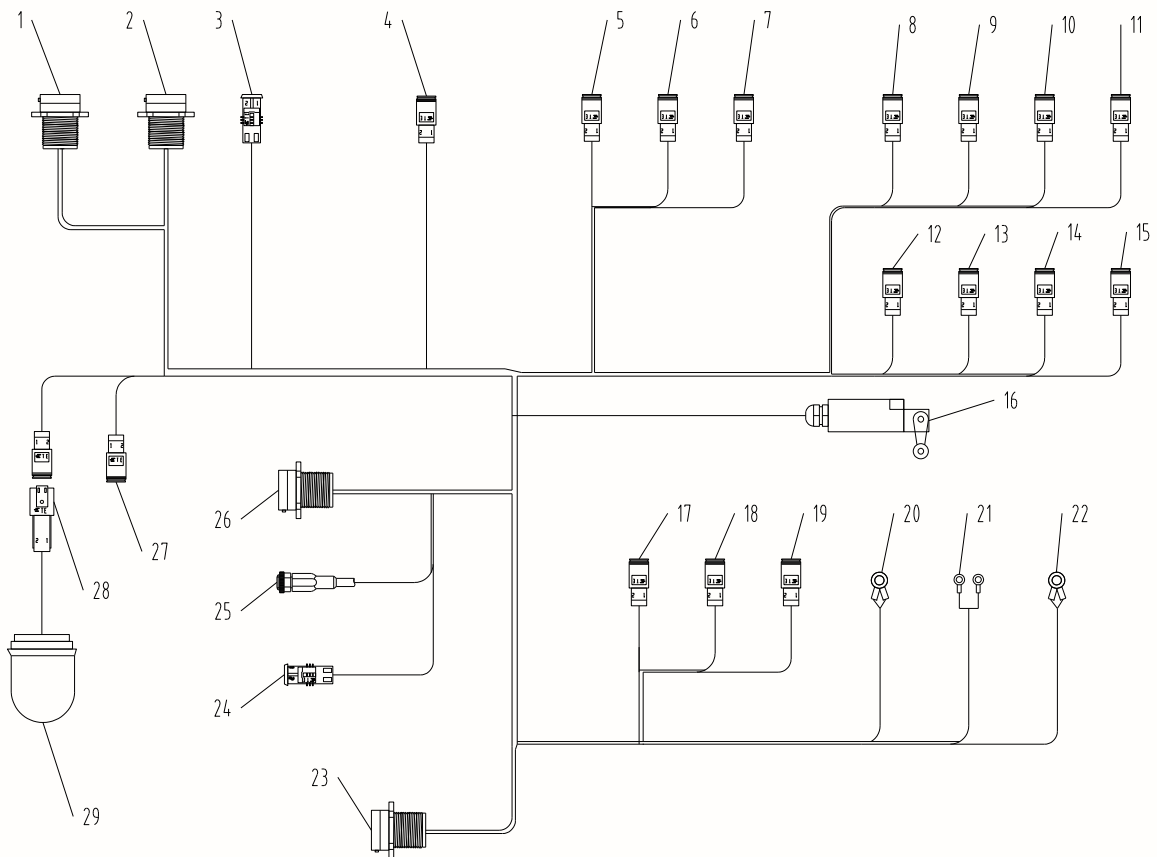
ZOOMLION

Parts Manual

Section 7 Electrical System



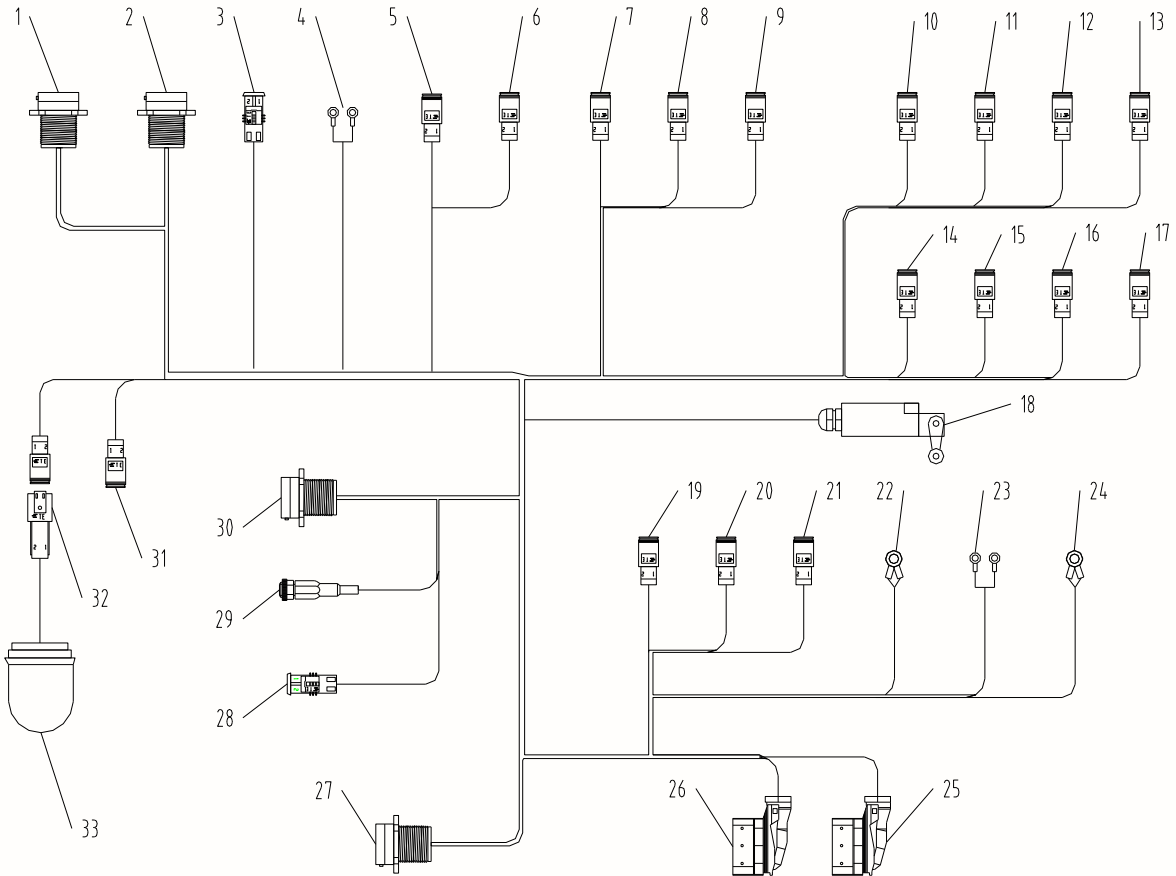
Turntable Cables 00771406210410000 (Cummins Engine)



Turntable Cables 00771406210410000 (Cummins Engine)

NO.	Material No.	Item and Spec	Qty	Remark
1	00771406200220000	Turntable electrical control box	1	
2	00771406200220000	Turntable electrical control box	0	
3	/	Fuel level	/	
4	/	Oil-water separator	/	
5	/	Boom retracting valve	/	
6	/	Turn right	/	
7	/	Turn left	/	
8	/	Telescopic valve	/	
9	/	Lifting valve	/	
10	/	Turntable left turn	/	
11	/	Front right turn	/	
12	/	Platform flow valve	/	
13	/	Flow valve	/	
14	/	Flow valve	/	
15	/	Flow valve	/	
16	1029906298	Limit switch	1	
17	/	Float control valve	/	
18	/	Brake valve	/	
19	/	Two-speed valve	/	
20	/	Public ground	/	
21	/	Auxiliary power pump relay	/	
22	1029905348	Battery positive pole	1	
23	00771406210420000	ECU cables	1	
24	1020304982	Buzzer	1	
25	1021404019	Tilt sensor	1	
26	00771406200430000	Boom cables	/	
27	/	Lights (option)	/	
28	/	Alarm light plug-in	/	
29	1020404399	Alarm light	/	

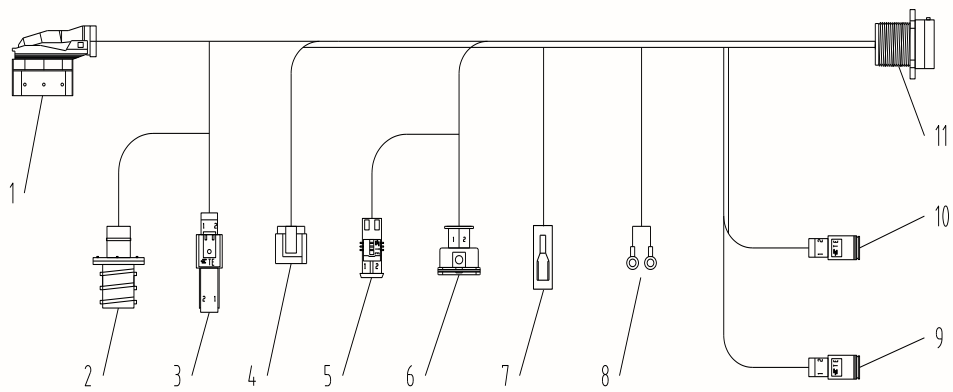
Turntable Cables 00771406200410000 (Deutz Engine)



Turntable Cables 00771406200410000 (Deutz Engine)

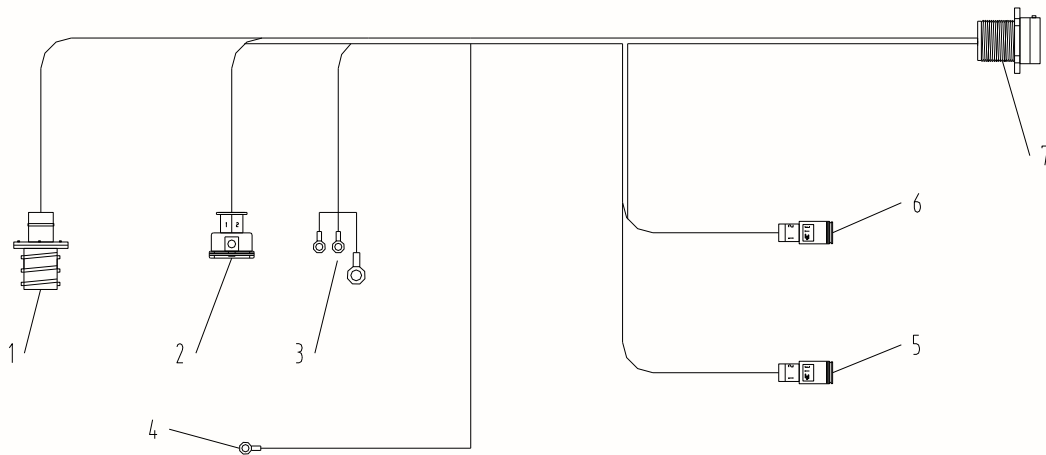
NO.	Material No.	Item and Spec	Qty	Remark
1	00771406200220000	Turntable electrical control box	1	
2	00771406200220000	Turntable electrical control box	0	
3	/	Fuel level	/	
4	/	Oil filter block	/	
5	/	Fuel pump	/	
6	/	Oil-water separator	/	
7	/	Boom retracting valve	/	
8	/	Turn right	/	
9	/	Turn left	/	
10	/	Telescopic valve	/	
11	/	Lifting valve	/	
12	/	Turntable left turn	/	
13	/	Front right turn	/	
14	/	Platform flow valve	/	
15	/	Flow valve	/	
16	/	Flow valve	/	
17	/	Flow valve	/	
18	1029906298	Limit switch	1	
19	/	Float control valve	/	
20	/	Brake valve	/	
21	/	Two-speed valve	/	
22	/	Public ground	/	
23	/	Auxiliary power pump relay	/	
24	1029905348	Battery positive pole	1	
25	/	ECU X24.1	/	
26	/	ECU X24.2	/	
27	00771406200420000	ECU cables	1	
28	1020304982	Buzzer	1	
29	1021404019	Tilt sensor	1	
30	00771406200430000	Boom cables	/	
31	/	Lights (option)	/	
32	/	Alarm light plug-in	/	
33	1020404399	Alarm light	/	

ECU cables00771406210420000 (Cummins Engine)



ECU cables00771406210420000 (Cummins Engine)

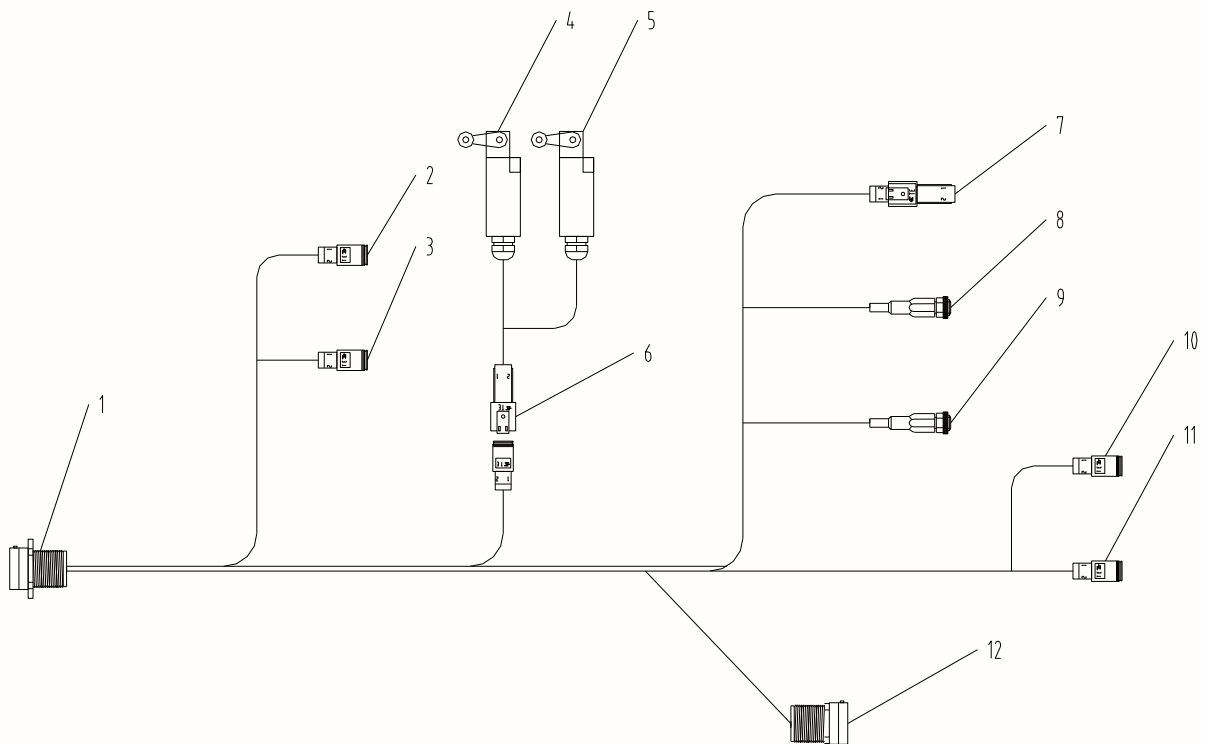
NO.	Material No.	Item and Spec	Qty	Remark
1	/	Controller plug J2	/	
2	/	Engine diagnosis	/	
3	1020700540	Terminal resistance	1	
4	/	Charging excitation	/	
5	/	Coolant level	/	
6	/	Air filter block	/	
7	/	Start motor relay	/	
8	1020305006	Preheating DC contactor	1	
9	/	Forward valve	/	
10	/	Reverse valve	/	
11	00771406210410000	Turntable Cables	1	

ECU cables00771406200420000 (Deutz Engine)

ECU cables00771406200420000 (Deutz Engine)

NO.	Material No.	Item and Spec	Qty	Remark
1	/	Coolant level	/	
2	/	Air filter block alarm	/	
3	1020305006	Preheating DC contactor	1	
4	/	Charging excitation	/	
5	/	Reverse valve	/	
6	/	Forward valve	/	
7	00771406200410000	Turntable Cables	1	

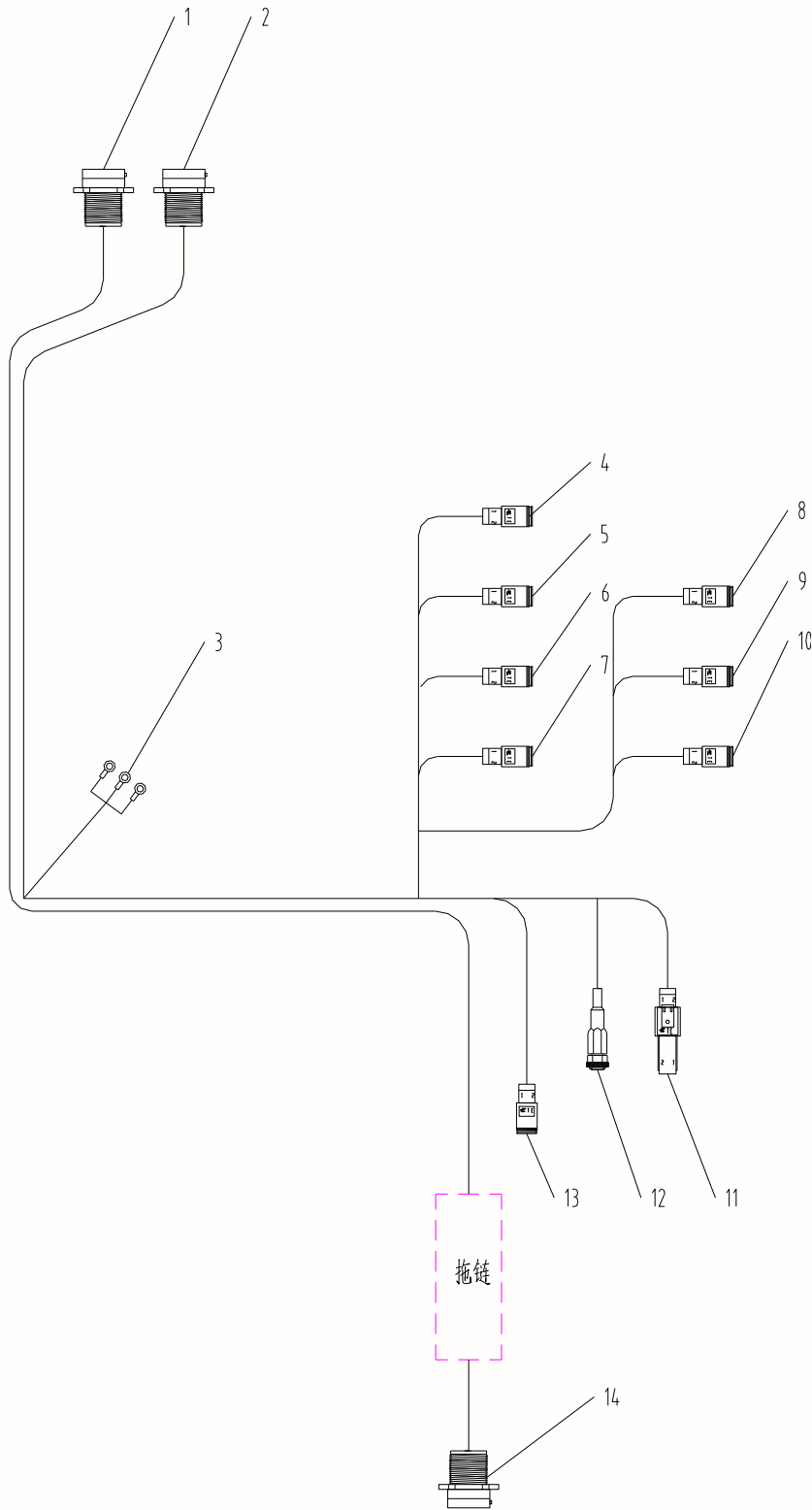
Boom Cable 00771406200430000



Boom cables00771406200430000

NO.	Material No.	Item and Spec	Qty	Remark
1	00771406200410000	Turntable Cables	0	
2	/	Flow valve	/	
3	/	Lowering valve	/	
4	1029906298	Length limit switch-stowed	1	
5	1029906298	Length limit switch-restricted	1	
6	/	Limit switch plug-in	/	
7	1020700540	Terminal resistance	1	
8	1021404017	Length sensor	1	
9	1021404018	Angle sensor	1	
10	1020516032	Approach switch 2	1	
11	1020516032	Approach switch 1	1	
12	00771406200610000	Chain cables	1	

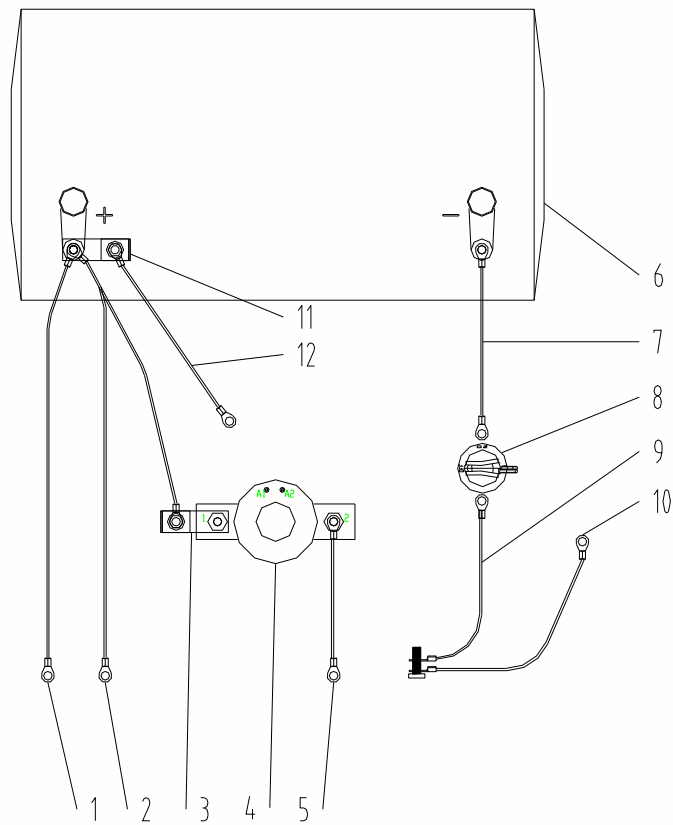
Platform Cable 00771406200440000



Platform Cable 00771406200440000

NO.	Material No.	Item and Spec	Qty	Remark
1	00771406200210000	Platform electrical control box	1	
2	00771406200210000	Platform electrical control box	0	
3	1020521022	Foot switch	1	
4	/	Platform left turn valve	/	
5	/	Platform right turn valve	/	
6	/	Jib lowering valve	/	
7	/	Leveling valve	/	
8	/	Platform unloading valve	/	
9	/	Jib lifting valve	/	
10	/	Leveling valve	/	
11	1020700540	Terminal resistance	1	
12	1021404015	Platform angle sensor	1	
13	1021404016	Load cell	1	
14	00771406200610000	Chain cables	0	

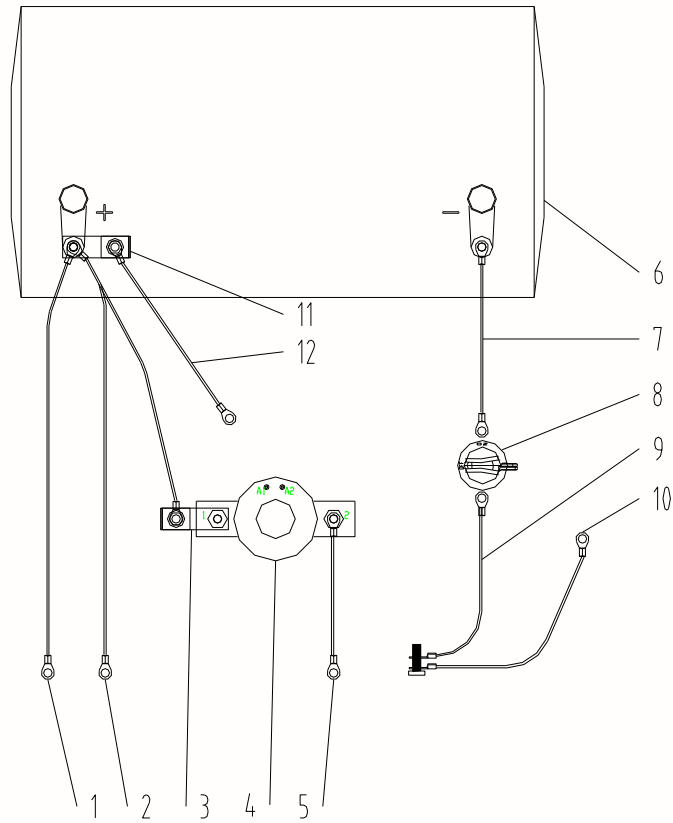
Battery Cable 00771406210450000 (Cummins Engine)



Battery Cable 00771406210450000 (Cummins Engine)

NO.	Code	Item	Qty	Remark
1	00771406210450010	Battery positive pole and start motor wire	1	
2	00771406210450070	Battery positive pole and preheating insurance and generator wire	1	
3	1020605356	Annular insurance	1	
	0067220632181001A-c	Annular insurance support	1	
	1020402443	Isolation nut	1	
4	1020305006	DC contactor	0	
5	00771406210450100	Relay ad preheater wire	1	
6	1029905348	Battery	0	
7	00771406200450020	Battery negative and manual switch wire	1	
8	1029900667	Manual switch	1	
9	00771406200450030	Manual switch to earth wire	1	
10	00771406210450060	Engine and negative earth wire	1	
11	1020605356	Annular insurance	1	
	0067220632181001A-c	Annular insurance support	1	
	1020402443	Isolation nut	1	
12	00771406200450050	Auxiliary pump and insurance wire	1	

Battery Cable 00771406200450000 (Deutz Engine)



Battery Cable 00771406200450000 (Deutz Engine)

NO.	Code	Item	Qty	Remark
1	00771406200450010	Battery positive pole and start motor wire	1	
2	00771406200450070	Generator wired to battery positive pole and preheating insurance and	1	
3	1020605356	Annular insurance	1	
	0067220632181001A-c	Annular insurance support	1	
	1020402443	Isolation nut	1	
4	1020305006	DC contactor	0	
5	00771406200460000	Relay ad preheater wire	1	
6	1029905348	Battery	0	
7	00771406200450020	Battery negative pole and manual switch wire	1	
8	1029900667	Manual switch	1	
9	00771406200450030	Manual switch to earth wire	1	
10	00771406200450060	Engine and negative pole earth wire	1	
11	1020605356	Annular insurance	1	
	0067220632181001A-c	Annular insurance support	1	
	1020402443	Isolation nut	1	
12	00771406200450050	Auxiliary power pump and insurance wire	1	

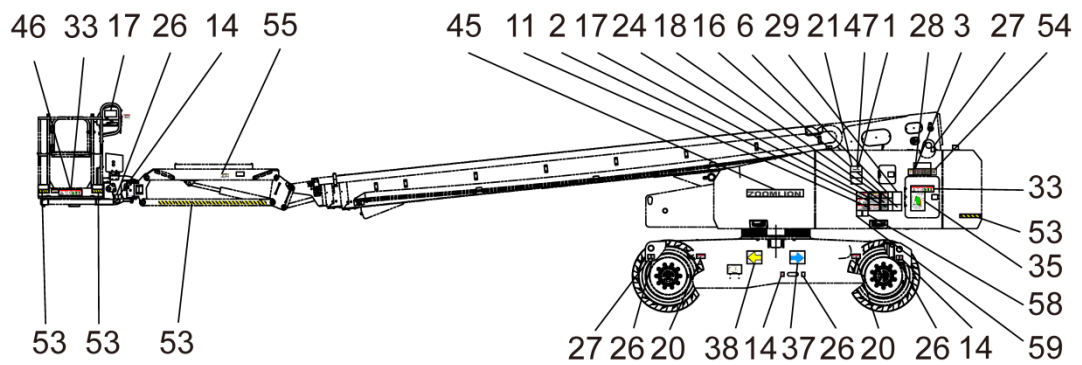
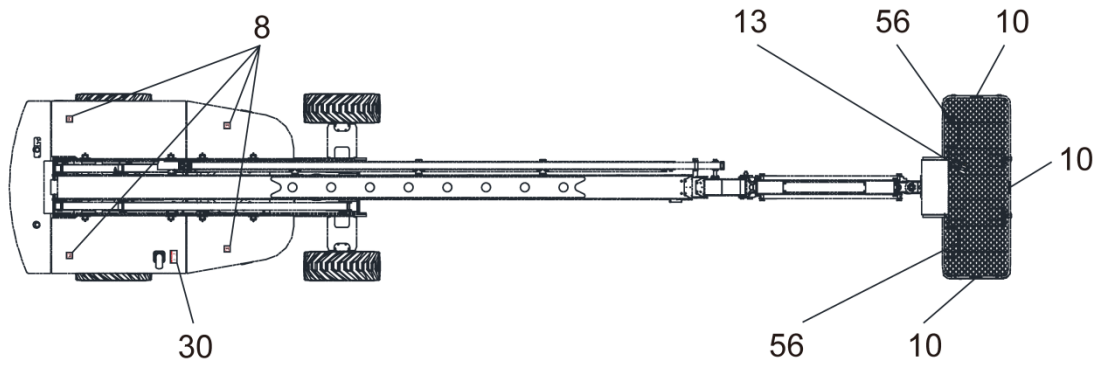
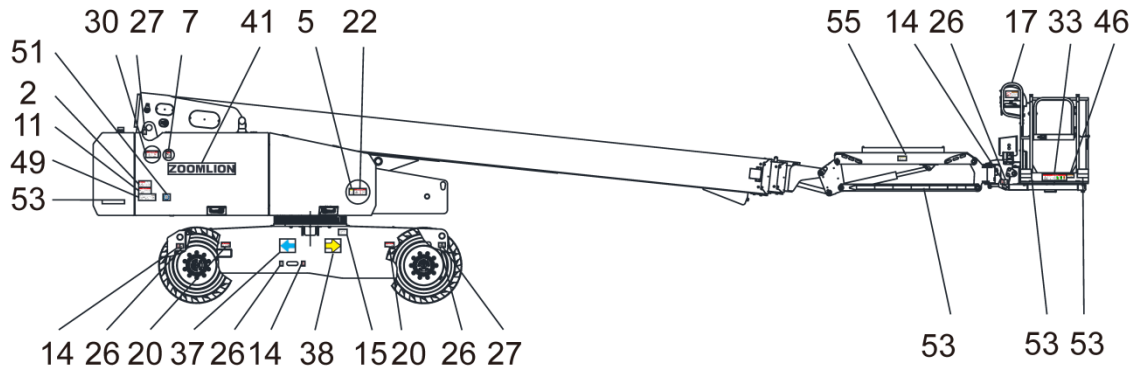
ZOOMLION

Parts Manual

Section 8 Lable Assembly



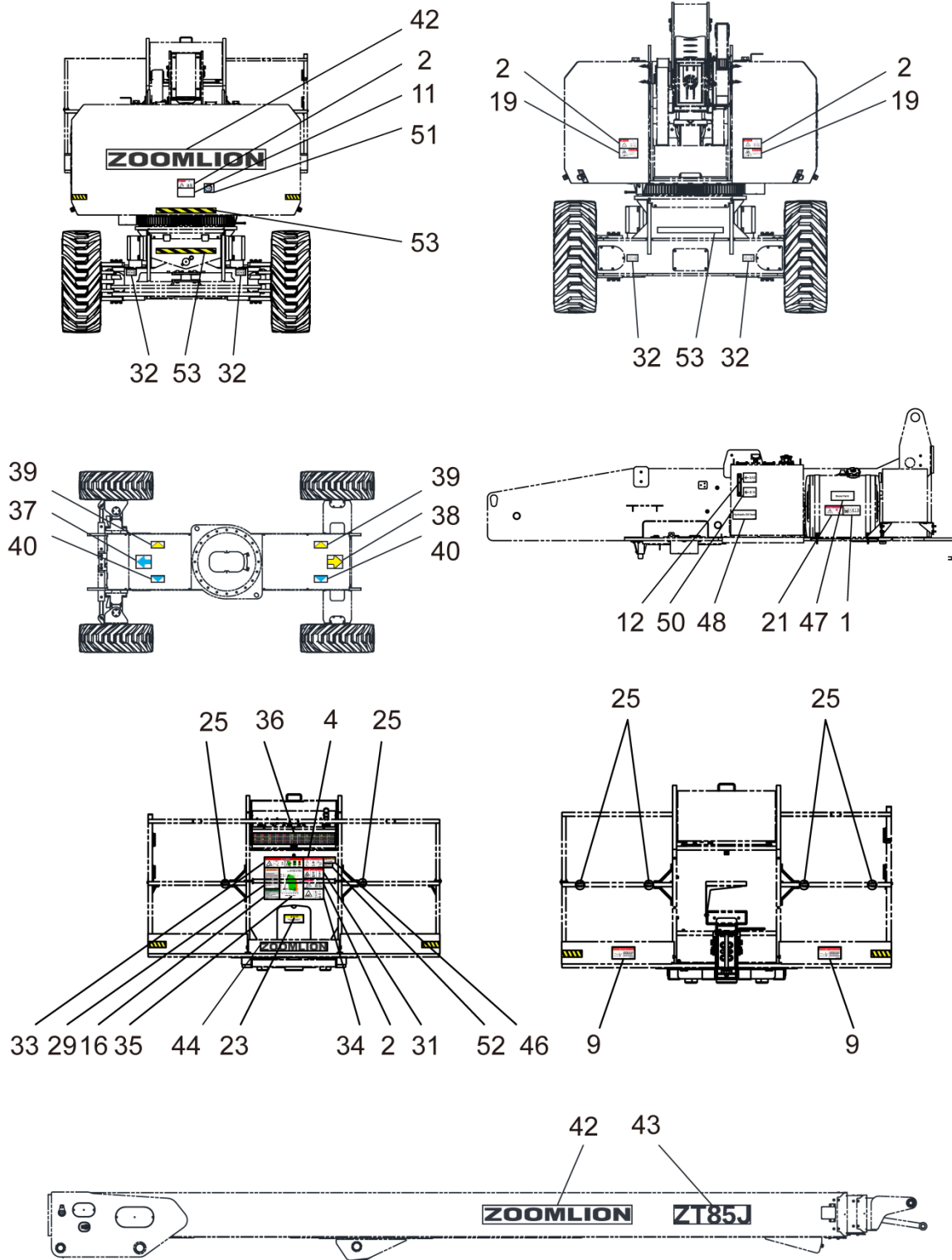
Decal 0077140700000000



Decal 0077140700000000

NO.	Material No.	Item and Spec	Qty	Remark
1	00773407000201060	Label- refuel	2	
2	00773407001601070	Danger- Electrical shock	6	
3	00773407001601080	Label- Ground control box instruction	1	
4	00773407001601090	Danger- Overturning I	1	
5	00773407000401150	Caution- Disconnect battery	1	
6	00773407000401160	Caution- Trained personnel only	1	
7	00773407001601170	Danger- No touching	1	
8	00773407000201180	Label- No stepping	4	
9	00773407001601190	Danger- Smashing	2	
10	00773407000401200	Caution-No handholds or lanyard	3	
11	00773407001601210	Danger- Extrusion	3	
12	00773407000201490	Label-High oil level	1	
13	00773407000401230	Warning- Foot switch failure	1	
14	00773407000201240	Label- No hoisting	6	
15	00773407000401250	Label-Insert stop pin during transportation	1	
16	00773407000401260	Label- Notes for use	2	
17	00773407000401270	Warning - No high pressure water flushing	3	
18	00773407001601310	Danger- Overturning II	1	
19	00773407001601320	Warning- Collision	2	
20	00773407001601360	Danger-Overturning III	4	
21	00773407001601370	Danger-ExplosionI	2	
22	00773407001601380	Danger-ExplosionII	1	
23	00773407000401390	Caution- Preserve operator manual	1	
24	00773407000401400	Label- Read instruction carefully	1	
25	00773407001601410	Label- Safe lanyard point	6	
26	00773407000201420	Label- Tie down	8	
27	00773407000201430	Label- Hoisting	4	
28	00773407000401440	Caution- Main power switch operating instruction	1	
29	00773407000401450	Warning- Pre-operation check	2	
30	00773407001601470	Danger- Burning	2	
31	00771407001601010	Danger- OverturningIV	1	

Decal 0077140700000000



Decal 0077140700000000

NO.	Material No.	Item and Spec	Qty	Remark
32	00771407001601020	Label-Wheel load	4	
33	00771407001601030	Danger- Overturning V	4	
34	00771407000201050	Label-Side slope rated value	1	
35	00771407001601060	Label-Work envelope	2	
36	00771407001601070	Label-Platform control box instruction	1	
37	00771407000201080	Label-Blue arrow	3	
38	00771407000201090	Label-Yellow arrow	3	
39	00771407000201100	Label-Yellow triangle	2	
40	00771407000201110	Label-Blue triangle	2	
41	00773407000201120	Label- ZOOMLION	1	
42	00771407000201130	Label- ZOOMLION	2	
43	00771407001601200	Label-ZT85J	1	
44	00773407000201010	Label- ZOOMLION	1	
45	00773407000201030	Label- ZOOMLION	1	
46	00775607000401320	Label-Non insulated	3	
47	00771407000201150	Label-Diesel tank	2	
48	00771407000201160	Label-Hydraulic oil tank	1	
49	00771407001601040	Label-Transport lifting	1	
50	00773407000201480	Label-Low oil level	1	
51	00771407001601180	Label-U.S	2	
52	00771407001601190	Warning-Cancer and Reproductive Harm	1	
53	1109900961	Warning Tape	23ft×0.16ft	
54	00773407010401050	Warning-Ground contral indication	1	
55	00773407010401020	Risk of Pinching Hand	2	
56	00773407010401030	Label-Handrail position	2	
57	00773407000401511	Label-Cold Starting	1	
58	00771407000401190	Label-QR Code	1	
59	00771407000201250	Label-Noise level	1	

ZT85J Parts Manual

ZOOMLION INTELLIGENT ACCESS MACHINERY CO.,LTD.

Add:Tengfei Road 997 , Wangcheng District, Changsha, Hunan,PRC

Zip Code:410200

E-mail:awm@zoomlion.com

Tel:400-800-0157



ZOOMLION